

HAMPSHIRE CRAFT CABINETS

MANUFACTURER & WHOLESALER





Hampshire Craft Cabinetry brings together skilled professionals with diverse backgrounds in the cabinet industry. The fusion of varied expertise and experience has empowered us to establish a company that comprehensively grasps the requirements of our clientele. We are dedicated to delivering superior products, surpassing customer expectations in terms of quality, affordability, and service.

Quality:

Our dedication to unparalleled quality permeates every facet of our manufacturing process. From design inception to the final product, we uphold the highest standards in both style and functionality. Commencing our production journey, we meticulously select premium raw materials, hardware, adhesives, and finishes. This careful curation forms a cohesive assembly of superior components, laying the groundwork for your enduring satisfaction.

In our relentless pursuit of excellence, we've eradicated inefficiencies and streamlined operations. By embracing cutting-edge manufacturing technologies, we ensure swift implementation, resulting in efficient production costs and a competitive sales price. Rigorous inspections at every stage and meticulous batch comparisons guarantee the consistent quality of our construction, color, and finish, instilling confidence in our customers.

Affordability

Our commitment to affordability is unwavering. Through strategic measures and operational efficiency, we've optimized production costs to offer competitive pricing without compromising quality. We believe in providing our customers with not only superior products but also exceptional value, ensuring that affordability is a cornerstone of our commitment to customer satisfaction.

Service:

We firmly believe that exceptional service is the cornerstone of a superior product. Through extensive efforts in material development, streamlined processes, and well-crafted policies, we are dedicated to providing unparalleled customer support. Our services span three key categories: supporting materials, order processing, and customer service.

Efforts to enhance customer experience include the constant development and distribution of marketing materials, empowering our customers to effectively showcase our products. Our automated order processing system ensures efficiency, significantly reducing lead times and unnecessary steps in the ordering process.

A team of seasoned cabinet professionals stands ready to address your concerns and questions. Importantly, we value customer input, actively incorporating suggestions to continually improve our service. We aim to establish a mutually beneficial relationship, fostering growth in both our businesses.

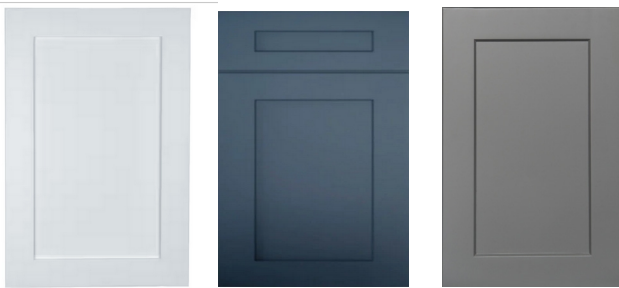


COLOR OPTIONS

Sample Doors *Individual sample doors or complete kits are available for purchase.

Shaker Series

Shaker



White

Blue

Grey



Luna White

Antique White

Cinder

Dulxeuro Full-Access Frameless

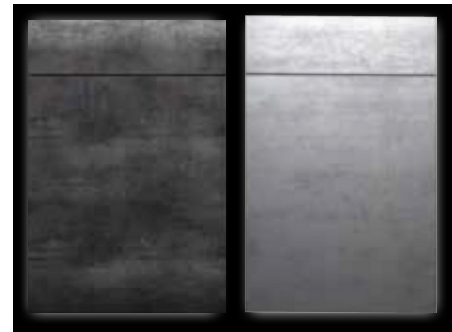


White Pine

Luna Oak

Grey Wood

Dark Wood



Rustic Gray

Concrete



Gloss White

Dark Sliver

Brown Oak

Pale Pine

Fabric Gray

Bianca White



SHAKER

(*Specifications subject to change without notice)



**WHITE
(SW)**



**GREY
(SG)**



**CINDER
(SC)**

- Framed Cabinet with Full Overlay Doors and Drawers
- Under Mount Full Extension Soft Close Drawer Glides
- Concealed European Style Hinges with Soft Close Feature
- Five Piece HDF Door
- ½" Plywood Box with UV Coated Matching Exterior
- Glue & Staple or Metal Clip Assembly
- UV Coated Natural Interior

- Framed Cabinet with Full Overlay Doors and Drawers
- Under Mount Full Extension Soft Close Drawer Glides
- Concealed European Style Hinges with Soft Close Feature
- Solid Birch Door Frame with Veneered MDF Center Panel
- ½" Plywood Box with Stained Exterior
- Glue & Staple or Metal Clip Assembly
- UV Coated Natural Interior



LUNA

(*Specifications subject to change without notice)

5



**WHITE
(WH)**



**OAK
(OK)**

- $\frac{3}{4}$ " plywood board with creamy white color melamine laminate
On both side and PVC edge banding of matching color
- Drawer bottom and back panel apply $\frac{5}{8}$ " plywood board, with Creamy white color melamine laminate on both side and PVC edge Banding of matching color
- Top and bottom rail of $\frac{3}{4}$ " plywood, $\frac{1}{4}$ " MDF cared
- Full-extended soft-close drawer glides of 500mm glide length
- Adjustable 110 degree opening soft close hinges, easy to install
- Adjustable leg height ranges from 4 $\frac{1}{2}$ " to 5 $\frac{1}{2}$ ", suitable for aluminum Alloy toe-kick and matching door panel toe-kick



CASSELBERRY

(*Specifications subject to change without notice)



6

ANTIQUÉ WHITE (CW)

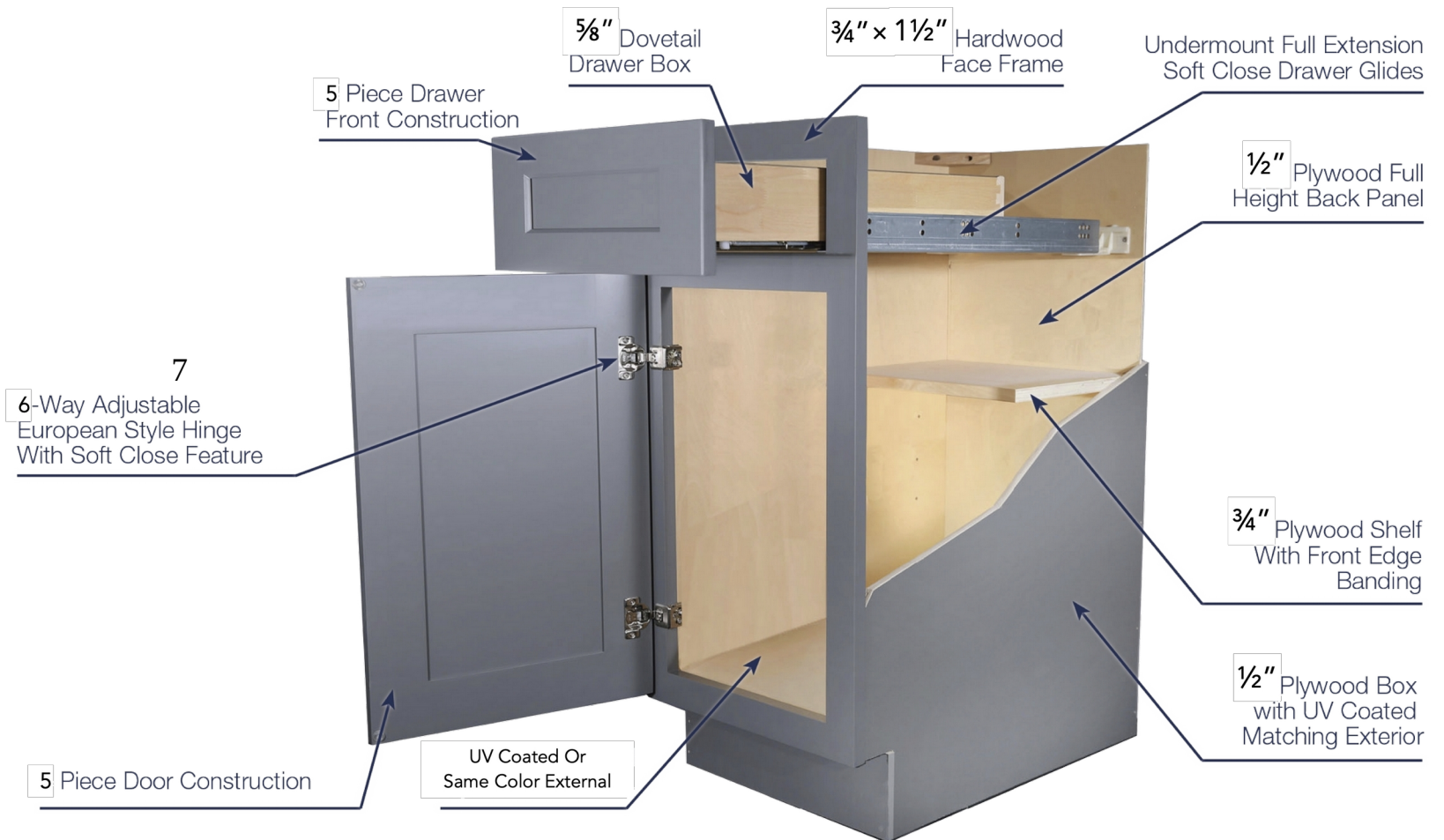
- Framed Cabinet with Full Overlay Doors and Drawers
- Under Mount Full Extension Soft Close Drawer Glides
- Concealed European Style Hinges with Soft Close Feature
- Five Piece HDF Door
- ½" Plywood Box with UV Coated Matching Exterior
- Glue & Staple or Metal Clip Assembly
- UV Coated Natural Interior



CONSTRUCTION SPECIFICATION

CONSTRUCTION SPECIFICATIONS

(*Specifications subject to change without notice)

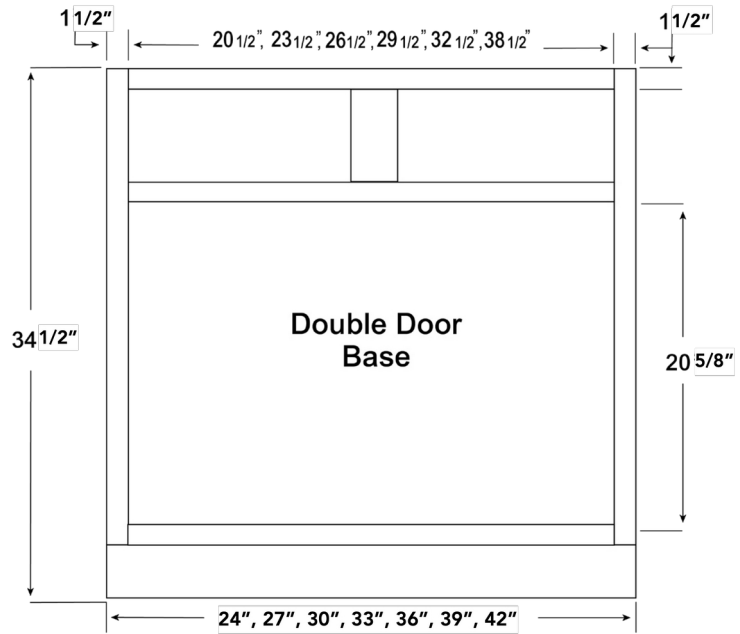
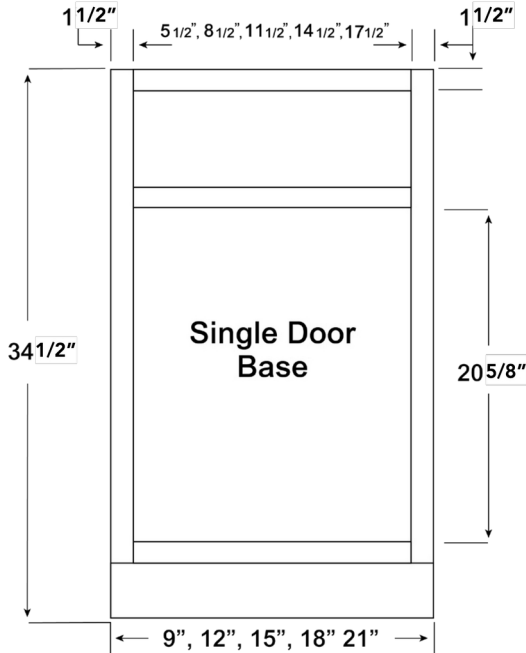




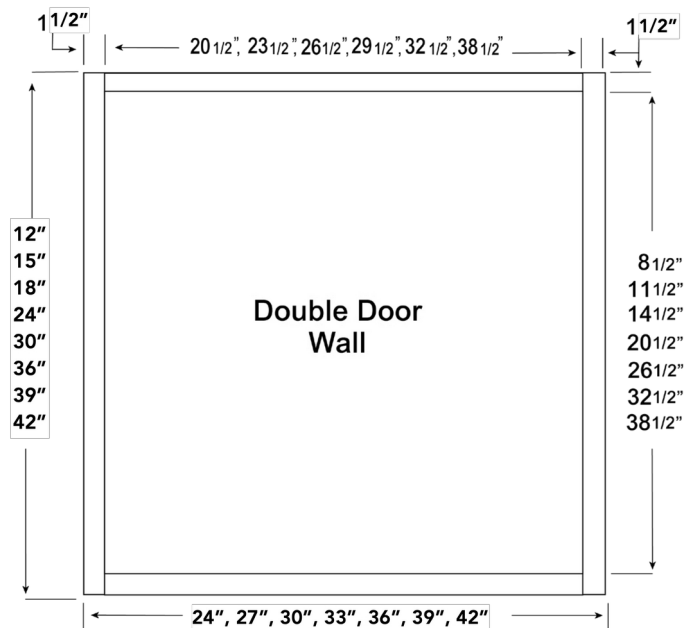
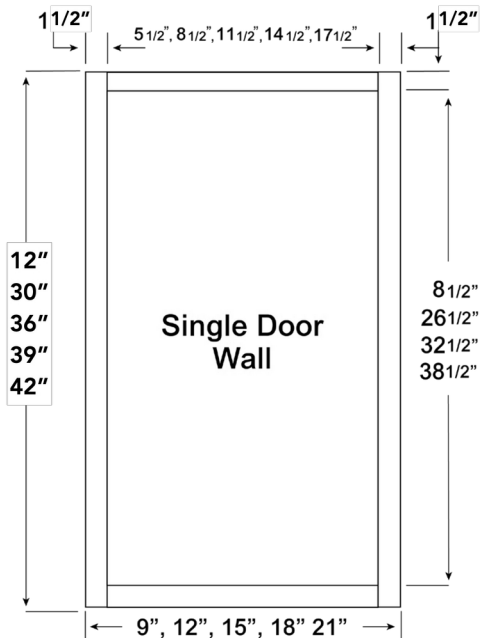
SHAKER SPECIFICATIONS

CABINET FRAME & OPENING DIMENSIONS - 1 1/2

- Height of all base cabinet openings is 20 5/8"
- Cabinet Size - 3 1/2" will give you opening
- Example B30: 30" - 3 1/2" = 26 1/2"



8

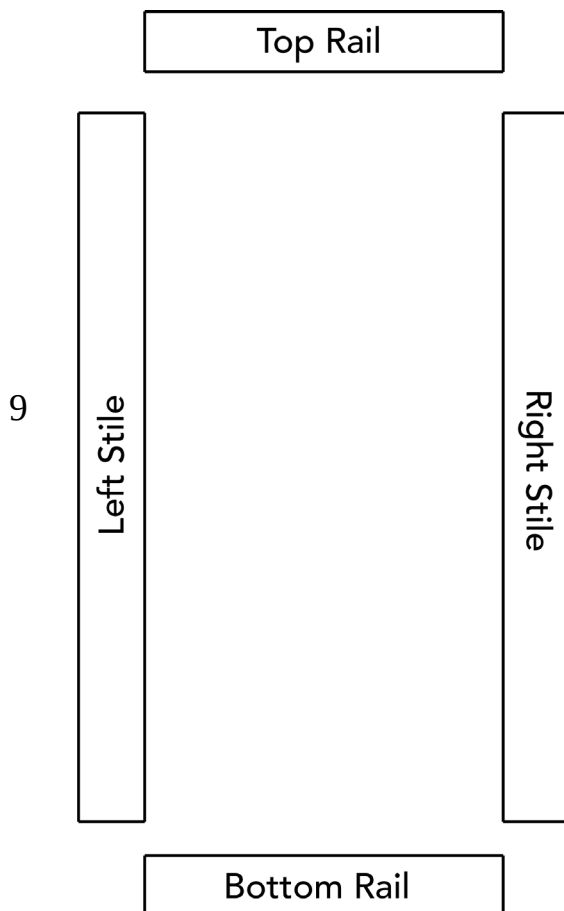




GLASSDOOR SPECIFICATION

GLASSDOOR CUTOUT GUIDELINES

- Our selection includes framed wall cabinets designed with doors routed for glass inserts, featuring an interior that complements the cabinet exterior.
- Although these cabinets are not supplied with glass or mullions, we've created a simple and user-friendly formula to assist you in estimating the appropriate insert size for your door when making a purchase.



Height Configuration:

Door Height* - (2 x Door Style Rail Width) + 1½"

Width Configuration:

Door Width* - (2 x Door Style Stile Width) + 1½"

Door Style	Rail Width	Stile Width
Shaker	2 ¾"	2 ¾"
Torrance	3"	3"
Casselberry	3"	3"
Dulxeuro	3"	3"

****For door height and width details, refer to the Specification Manual.**

DISCLAIMER: This formula serves as an estimation tool only. We strongly advise taking physical measurements before ordering inserts, as we cannot guarantee exact dimensions determined by using the provided formula.

PRODUCT SPECIFICATIONS

Accessory Base Cabinets - Full Height Door Base Kit with Shelf Pullout

Model	Description	Width	Height	Depth
BT9PO	Cabinet Dimension	9	34½	24
	Door Dimension	8½	29	¾
	Pullout Dimension	6	25½	22 ¾

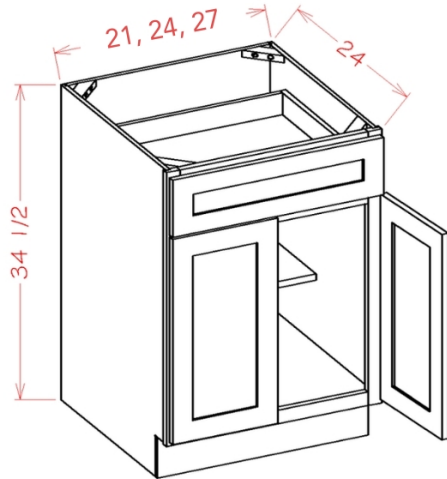
- Pullout is mounted to the cabinet floor and door.
- Full-extension slides with soft-close (110 lb weight capacity).
- Two boxes will be received when ordering this cabinet kit flat pack.

Single Door Single Drawer Bases

Model	Description	Width	Height	Depth
B12	Cabinet Dimension	12	34½	24
	Door Dimension	11½	22½	¾
	Drawer Front	11½	6¼	¾
	Drawer Box	8	3¼	20¾
B15	Cabinet Dimension	15	34½	24
	Door Dimension	14½	22½	¾
	Drawer Front	14½	6¼	¾
	Drawer Box	11	3¼	20¾
B18	Cabinet Dimension	18	34½	24
	Door Dimension	17½	22½	¾
	Drawer Front	17½	6 1/4	¾
	Drawer Box	14	3 1/4	20¾

PRODUCT SPECIFICATIONS

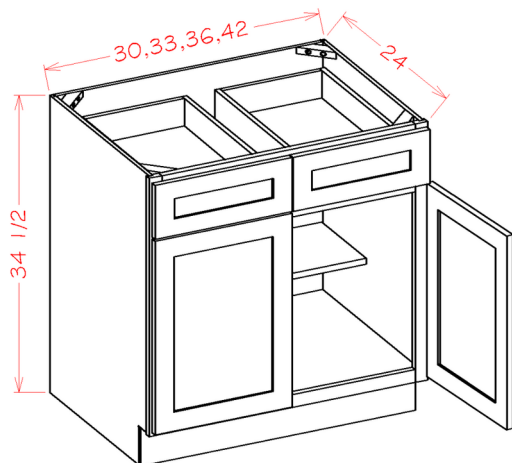
Double Door Single Drawer Bases



Model	Description	Width	Height	Depth
B21	Cabinet Dimension	21	34½	24
	Door Dimension	20½	22½	¾
	Drawer Front	20½	6¼	¾
	Drawer Box	17	3¼	20¾
B24	Cabinet Dimension	24	34½	24
	Door Dimension	11¾	22½	¾
	Drawer Front	23½	6¼	¾
	Drawer Box	20	3¼	20¾
B27	Cabinet Dimension	27	34½	24
	Door Dimension	13¾	22½	¾
	Drawer Front	26½	6¼	¾
	Drawer Box	23	3¼	20¾

11

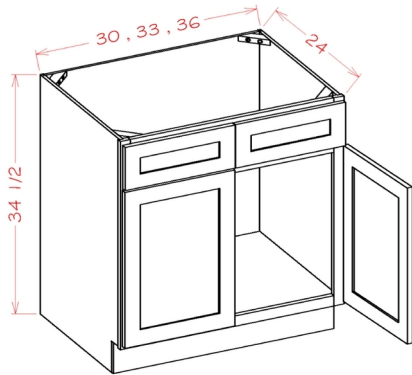
Double Door Double Drawer Bases



Model	Description	Width	Height	Depth
B30	Cabinet Dimension	30	34½	24
	Door Dimension	14¾	22½	¾
	Drawer Front	14¾	6¼	¾
	Drawer Box	12	3¼	20¾
B33	Cabinet Dimension	33	34½	24
	Door Dimension	16¼	22½	¾
	Drawer Front	16¼	6¼	¾
	Drawer Box	13½	3¼	20¾
B36	Cabinet Dimension	36	34½	24
	Door Dimension	17¾	22½	¾
	Drawer Front	17¾	6¼	¾
	Drawer Box	15	3¼	20¾
B42	Cabinet Dimension	42	34½	24
	Door Dimension	20¾	22½	¾
	Drawer Front	20¾	6¼	¾
	Drawer Box	18	3¼	20¾

PRODUCT SPECIFICATIONS

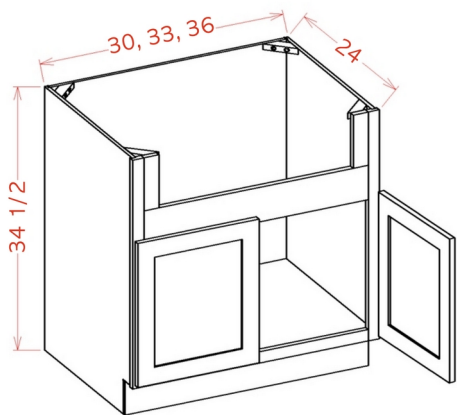
Sink Bases



Model	Description	Width	Height	Depth
SB30	Cabinet Dimension	30	34½	24
	Door Dimension	14¾	22½	¾
	Drawer Front	14¾	6¼	¾
SB33	Cabinet Dimension	33	34½	24
	Door Dimension	16¼	22½	¾
	Drawer Front	16¼	6¼	¾
SB36	Cabinet Dimension	36	34½	24
	Door Dimension	17¾	22½	¾
	Drawer Front	17¾	6¼	¾

12

Sink Bases - Farm Sink

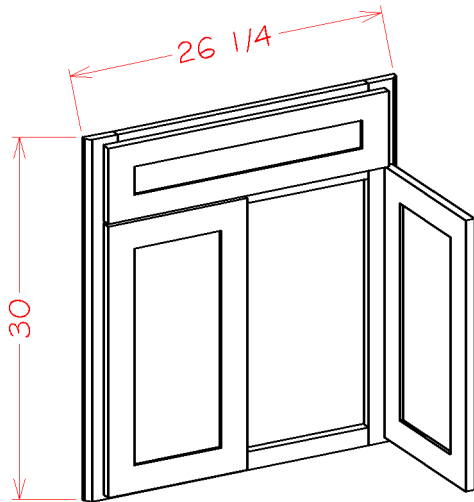


Model	Description	Width	Height	Depth
FSB30	Cabinet Dimension	30	34½	24
	Door Dimension	26½	17	¾
FSB33	Cabinet Dimension	33	34½	24
	Door Dimension	29½	17	¾
FSB36	Cabinet Dimension	36	34½	24
	Door Dimension	32½	17	¾

Fits up to a 30", 33", 36" W x 9" or 10"H farm sink

PRODUCT SPECIFICATIONS

Sink Bases - Diagonal Sink Front

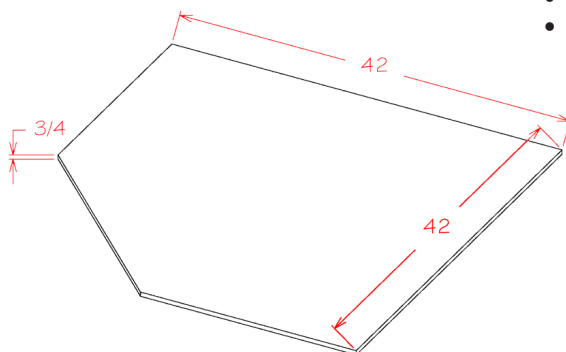


Model	Description	Width	Height	Depth
DCSF42	Cabinet Dimension	26 ¹ / ₄	30	³ / ₄
	Door Dimension	11 ³ / ₄	22 ¹ / ₂	³ / ₄

- DCSF42 to be used in conjunction with SBF4242
- Available as a kit item SKU: DCFF42
- Toe Kick Not Included

13

Sink Bases - Diagonal Sink Floor



Model	Description	Width	Height	Depth
SBF4242	Door Dimension	42	¹ / ₂	42

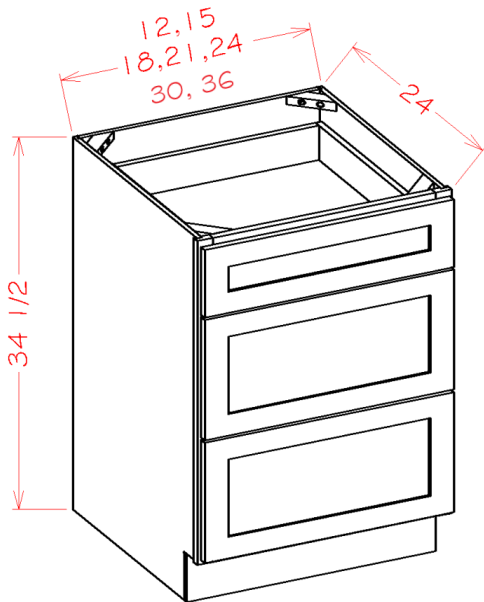
- Sink floor only.
- SBF4242 to be used in conjunction with DCSF42.



BASE CABINET

PRODUCT SPECIFICATIONS

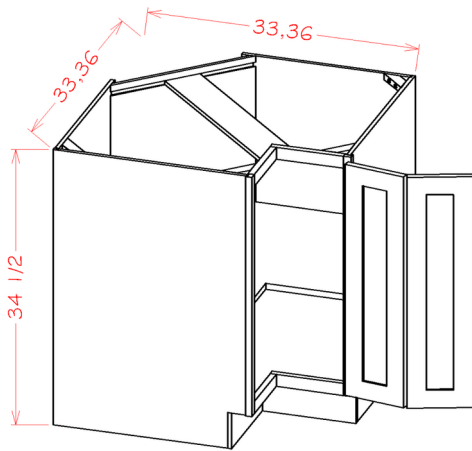
Three Drawer Base



Model	Description	Width	Height	Depth
3DB12	Cabinet Dimension	12	34½	24
	Top Drawer Front	11½	6¼	¾
	Bottom Drawer Front	11½	11⅛	¾
	Top Drawer Box	8	3 ⅜	20 ⅜
	Bottom Drawer Box	8	8¼	20 ⅜
3DB15	Cabinet Dimension	15	34½	24
	Top Drawer Front	14½	6¼	¾
	Bottom Drawer Front	14½	11⅛	¾
	Top Drawer Box	11	3 ⅜	20 ⅜
	Bottom Drawer Box	11	8¼	20 ⅜
3DB18	Cabinet Dimension	18	34½	24
	Top Drawer Front	17½	6¼	¾
	Bottom Drawer Front	17½	11⅛	¾
	Top Drawer Box	14	3 ⅜	20 ⅜
	Bottom Drawer Box	14	8¼	20 ⅜
3DB21	Cabinet Dimension	21	34½	24
	Top Drawer Front	20½	6¼	¾
	Bottom Drawer Front	20½	11⅛	¾
	Top Drawer Box	17½	3 ⅜	20 ⅜
	Bottom Drawer Box	17½	8¼	20 ⅜
3DB24	Cabinet Dimension	24	34½	24
	Top Drawer Front	23½	6¼	¾
	Bottom Drawer Front	23½	11⅛	¾
	Top Drawer Box	20	3 ⅜	20 ⅜
	Bottom Drawer Box	20	8¼	20 ⅜
3DB30	Cabinet Dimension	30	34½	24
	Top Drawer Front	29½	6¼	¾
	Bottom Drawer Front	29½	11⅛	¾
	Top Drawer Box	26	3 ⅜	20 ⅜
	Bottom Drawer Box	26	8¼	20 ⅜
3DB36	Cabinet Dimension	36	34½	24
	Top Drawer Front	35½	6¼	¾
	Bottom Drawer Front	35½	11⅛	¾
	Top Drawer Box	32	3 ⅜	20 ⅜
	Bottom Drawer Box	32	8¼	20 ⅜

PRODUCT SPECIFICATIONS

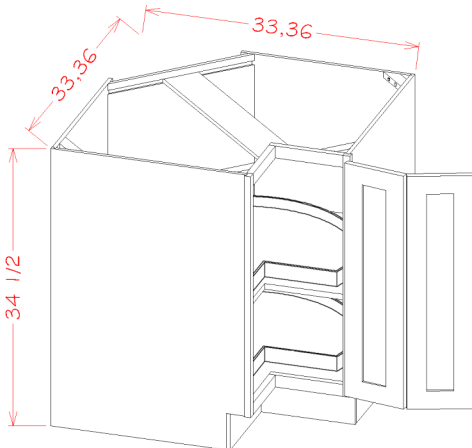
Base Easy Reach



Model	Description	Width	Height	Depth
BER33	Cabinet Dimension	33	34½	24
	Door Dimension	75/8	29	¾
BER36	Cabinet Dimension	36	34½	24
	Door Dimension	105/8	29	¾

15

Base Easy Reach with Lazy Susan Trays

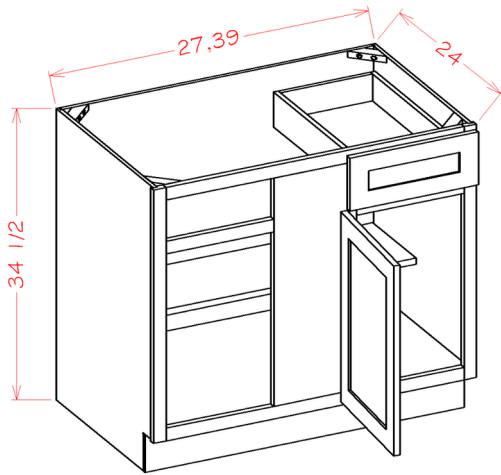


Model	Description	Width	Height	Depth
LSB33	Cabinet Dimension	33	34½	24
	Door Dimension	7 5/8	29	¾
LSB36	Cabinet Dimension	36	34½	24
	Door Dimension	105/8	29	¾

- LSB33 Inside Opening is 11.5" W and Wooden Lazy Susan Tray is 27.5" W (Comes in a separate box)
- LSB36 Inside Opening is 15.5" W and Wooden Lazy Susan Tray is 27.5" W (Comes in a separate box)
- Two boxes will be received when ordering this cabinet kit flat pack.

PRODUCT SPECIFICATIONS

Blind Bases

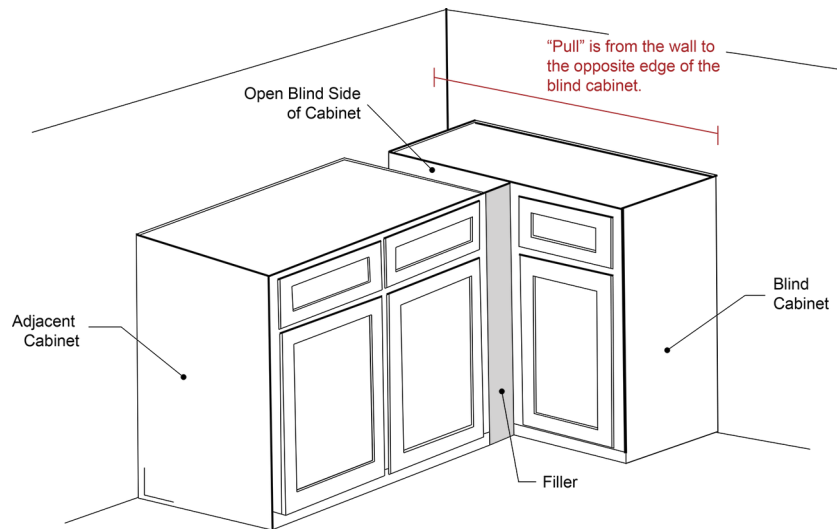


Model	Description	Width	Height	Depth
BBC36	Door Opening	6 ³ / ₄	20 ¹ / ₂	22 ³ / ₄
	Cabinet Dimension	27	34 ¹ / ₂	24
	Door Dimension	9 ³ / ₄	22 ¹ / ₂	³ / ₄
	Drawer Front	9 ³ / ₄	61/4	³ / ₄
	Drawer Box	6 ¹ / ₂	3 ³ / ₈	20 ³ / ₈
BBC42	Door Opening	12 ³ / ₄	20 ¹ / ₂	22 ³ / ₄
	Cabinet Dimension	39	34 ¹ / ₂	24
	Door Dimension	15 ³ / ₄	22 ¹ / ₂	³ / ₄
	Drawer Front	15 ³ / ₄	61/4	³ / ₄
	Drawer Box	12 ³ / ₈	3 ³ / ₈	20 ³ / ₈

16

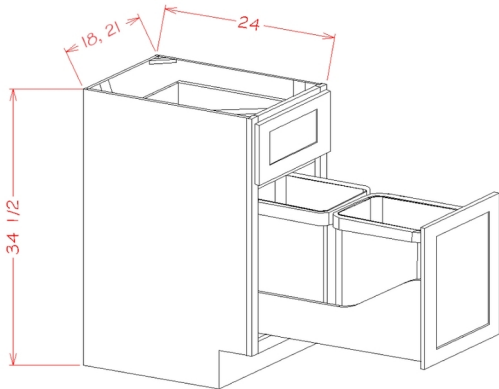
Model	Box Size	Min	Max	Stile
BBC36	27	36 ¹ / ₂	43	10
BBC42	39	42 ¹ / ₂	49	10

- Must Use Filler (not supplied)



PRODUCT SPECIFICATIONS

Accessory Base Cabinets - Single Door Single Drawer Base Kit with Double Trashcan Pullout

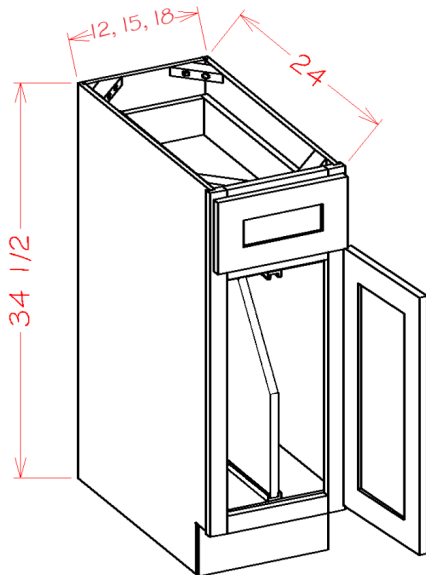


- Pullout is mounted to the cabinet floor and door.
- Full-extension slides with soft-close (110 lb weight capacity).
- Two boxes will be received when ordering this cabinet kit flat pack.

Model	Description	Width	Height	Depth
B18TCPO	Cabinet Dimension	18	34½	24
	Door Dimension	17½	22½	¾
	Drawer Front	17½	6 ¼	¾
	Drawer Box	14	3 ¼	20 ¾
	Pullout Dimension	15	19½	21 ²¹ / ₃₂
B21TCPO	Trashcan Dimension	14 ³ / ₁₆	17 ⁷ / ₈	10½
	Cabinet Dimension	21	34½	24
	Door Dimension	20½	22½	¾
	Drawer Front	20½	6 ¼	¾
	Drawer Box	17	3 ¼	20 ¾
B21TCPO	Pullout Dimension	18	19½	21 ²¹ / ₃₂
	Trashcan Dimension	14 ³ / ₁₆	17 ⁷ / ₈	10½

17

Accessory Base Cabinets - Tray Divider Base Kit

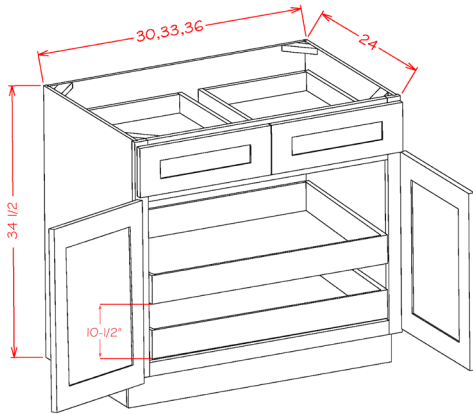


Model	Description	Width	Height	Depth
B12TD	Cabinet Dimension	12	34½	24
	Door Dimension	11½	22½	¾
	Drawer Front	11½	6¼	¾
	Drawer Box	8	3¼	20 ¾
	Tray Divider	¾	21	22½
B15TD	Cabinet Dimension	15	34½	24
	Door Dimension	14½	22½	¾
	Drawer Front	14½	6¼	¾
	Drawer Box	11	3¼	20 ¾
B18TD	Tray Divider	¾	21	22½
	Cabinet Dimension	18	34½	24
	Door Dimension	17½	22½	¾
	Drawer Front	17½	6¼	¾
B18TD	Drawer Box	14	3¼	20 ¾
	Tray Divider	¾	21	22½

- B18TD Includes Two Dividers
- Two boxes will be received when ordering this cabinet kit flat pack.

PRODUCT SPECIFICATIONS

Accessory Base Cabinets - Double Door Double Drawer Two Rollout Shelf Base Kit

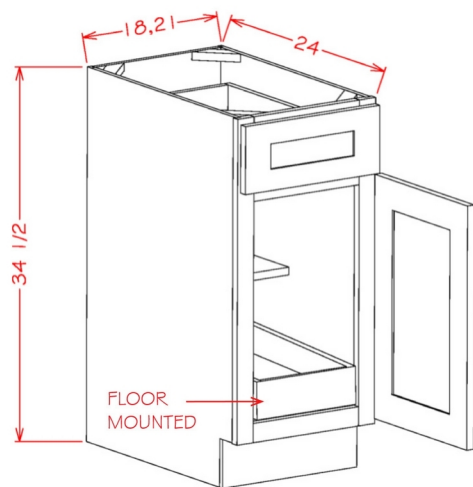


- Assembled cabinets with Rollout Shelf kits are ONLY installed as indicated in the line drawing
- Three boxes will be received when ordering this cabinet kit flat pack.
- Rollout Shelf glides are side mounted ball bearing with no soft close.

Model	Description	Width	Height	Depth
B302RS	Cabinet Dimension	30	34½	24
	Door Dimension	14¾	22½	¾
	Drawer Front	14¾	6¼	¾
	Drawer Box	12	3¼	20 ³ / ₈
	Rollout Shelf	25 ³ / ₈	3 ³ / ₈	20 ⁷ / ₁₆
B332RS	Cabinet Dimension	33	34½	24
	Door Dimension	16¼	22½	¾
	Drawer Front	16¼	6¼	¾
	Drawer Box	13½	3¼	20 ³ / ₈
	Rollout Shelf	28 ³ / ₈	3 ³ / ₈	20 ⁷ / ₁₆
B362RS	Cabinet Dimension	36	34½	24
	Door Dimension	17¾	22½	¾
	Drawer Front	17¾	6¼	¾
	Drawer Box	15	3¼	20 ³ / ₈
	Rollout Shelf	31 ³ / ₈	3 ³ / ₈	20 ⁷ / ₁₆

18

Accessory Base Cabinets - Single Door Single Drawer One Rollout Shelf Base Kit

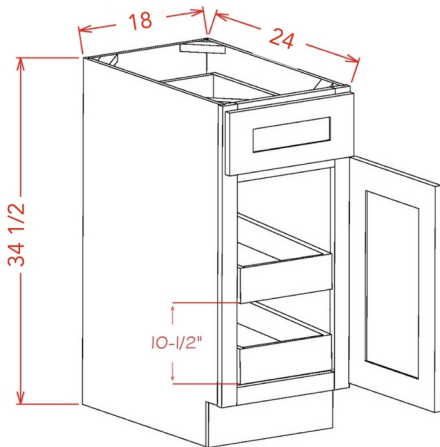


Model	Description	Width	Height	Depth
B181RS	Cabinet Dimension	18	34½	24
	Door Dimension	17½	22½	¾
	Drawer Front	17½	6¼	¾
	Drawer Box	14	3¼	20 ³ / ₈
	Rollout Shelf	13 ³ / ₈	3 ³ / ₈	20 ⁷ / ₁₆
B211RS	Cabinet Dimension	21	34½	24
	Door Dimension	20½	22½	¾
	Drawer Front	20½	6¼	¾
	Drawer Box	17	3¼	20 ³ / ₈
	Rollout Shelf	16 ³ / ₈	3 ³ / ₈	20 ⁷ / ₁₆

- Assembled cabinets with Rollout Shelf kits are ONLY installed as indicated in the line drawing
- Two boxes will be received when ordering this cabinet kit flat pack.
- Rollout Shelf glides are side mounted ball bearing with no soft close.

PRODUCT SPECIFICATIONS

Accessory Base Cabinets - Single Door Single Drawer Two Rollout Shelf Base Kit

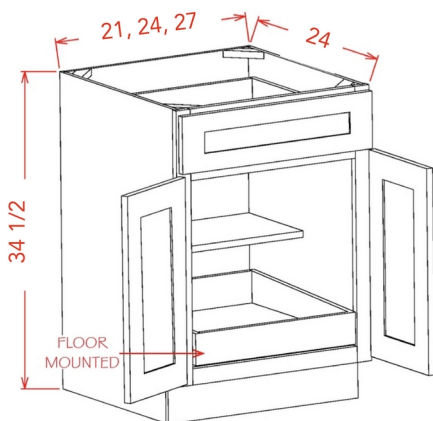


Model	Description	Width	Height	Depth
B182RS	Cabinet Dimension	18	34½	24
	Door Dimension	17½	22½	¾
	Drawer Front	17½	61/4	¾
	Drawer Box	14	31/4	20¾8
	Rollout Shelf	13¾8	3¾8	20¾16
B212RS	Cabinet Dimension	21	34½	24
	Door Dimension	20½	22½	¾
	Drawer Front	20½	61/4	¾
	Drawer Box	17	31/4	20¾8
	Rollout Shelf	16¾8	3¾8	20¾16

- Assembled cabinets with Rollout Shelf kits are ONLY installed as indicated in the line drawing
- Three boxes will be received when ordering this cabinet kit flat pack.
- Rollout Shelf glides are side mounted ball bearing with no soft close.

19

Accessory Base Cabinets - Double Door Single Drawer One Rollout Shelf Base Kit

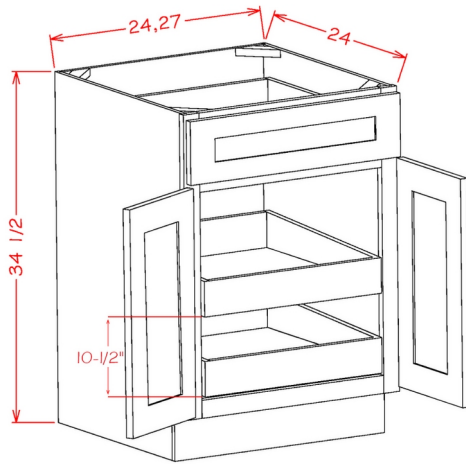


Model	Description	Width	Height	Depth
B241RS	Cabinet Dimension	24	34½	24
	Door Dimension	11¾	22½	¾
	Drawer Front	23½	61/4	¾
	Drawer Box	20	31/4	20¾8
	Rollout Shelf	19½	3¾8	20¾16
B271RS	Cabinet Dimension	27	34½	24
	Door Dimension	131/4	22½	¾
	Drawer Front	26½	61/4	¾
	Drawer Box	23	31/4	20¾8
	Rollout Shelf	22½	3¾8	20¾16

- Assembled cabinets with Rollout Shelf kits are ONLY installed as indicated in the line drawing
- Two boxes will be received when ordering this cabinet kit flat pack.
- Rollout Shelf glides are side mounted ball bearing with no soft close.

PRODUCT SPECIFICATIONS

Accessory Base Cabinets - Double Door Single Drawer Two Rollout Shelf Base Kit

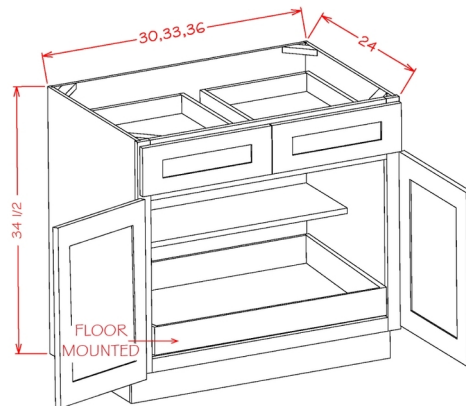


Model	Description	Width	Height	Depth
B242RS	Cabinet Dimension	24	34½	24
	Door Dimension	11¾	22½	¾
	Drawer Front	23½	6¼	¾
	Drawer Box	20	3¼	20 ³ / ₈
	Rollout Shelf	19½	3 ³ / ₈	20 ⁷ / ₁₆
B272RS	Cabinet Dimension	27	34½	24
	Door Dimension	13¼	22½	¾
	Drawer Front	26½	6¼	¾
	Drawer Box	23	3¼	20 ³ / ₈
	Rollout Shelf	22½	3 ³ / ₈	20 ⁷ / ₁₆

- Assembled cabinets with Rollout Shelf kits are ONLY installed as indicated in the line drawing
- Three boxes will be received when ordering this cabinet kit flat pack.
- Rollout Shelf glides are side mounted ball bearing with no soft close.

20

Accessory Base Cabinets - Double Door Double Drawer One Rollout Shelf Base Kit

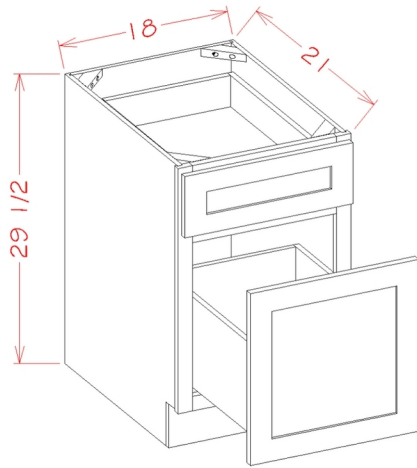


Model	Description	Width	Height	Depth
B301RS	Cabinet Dimension	30	34½	24
	Door Dimension	14¾	22½	¾
	Drawer Front	14¾	6¼	¾
	Drawer Box	12	3¼	20 ³ / ₈
	Rollout Shelf	25 ⁵ / ₈	3 ³ / ₈	20 ⁷ / ₁₆
B331RS	Cabinet Dimension	33	34½	24
	Door Dimension	16¼	22½	¾
	Drawer Front	16¼	6¼	¾
	Drawer Box	13½	3¼	20 ³ / ₈
	Rollout Shelf	28 ³ / ₈	3 ³ / ₈	20 ⁷ / ₁₆
B361RS	Cabinet Dimension	36	34½	24
	Door Dimension	17¾	22½	¾
	Drawer Front	17¾	6¼	¾
	Drawer Box	15	3¼	20 ³ / ₈
	Rollout Shelf	31 ³ / ₈	3 ³ / ₈	20 ⁷ / ₁₆

- Assembled cabinets with Rollout Shelf kits are ONLY installed as indicated in the line drawing
- Two boxes will be received when ordering this cabinet kit flat pack.
- Rollout Shelf glides are side mounted ball bearing with no soft close.

PRODUCT SPECIFICATIONS

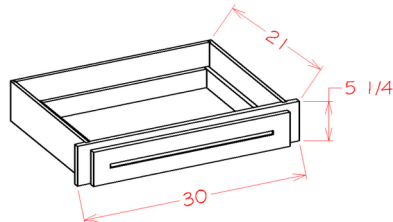
Specialty Bases - Drawer File Base



Model	Description	Width	Height	Depth
DFB18	Cabinet Dimension	18	29½	21
	Top Drawer Front	17½	6¼	¾
	Bottom Drawer Front	17½	17½	¾
	Top Drawer Box	14	3¾	17¾
	Bottom Drawer Box	14	9¼	17¾

21

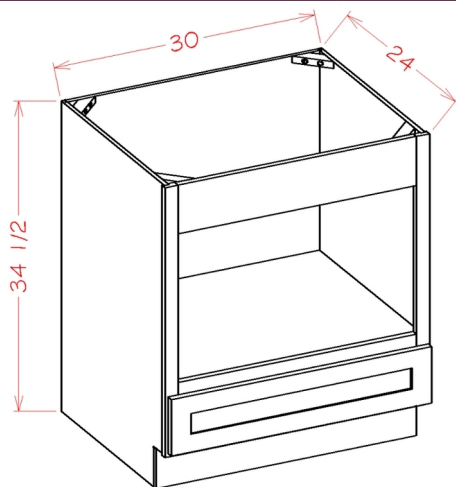
Specialty Bases - Desk Knee Drawer



Model	Description	Width	Height	Depth
DKD30	Cabinet Dimension	30	5¼	21
	Drawer Front	26	4¾	¾
	Drawer Box	23	3¼	17¾

- Trimmable to 27" wide

Specialty Bases - Base Microwave Cabinet

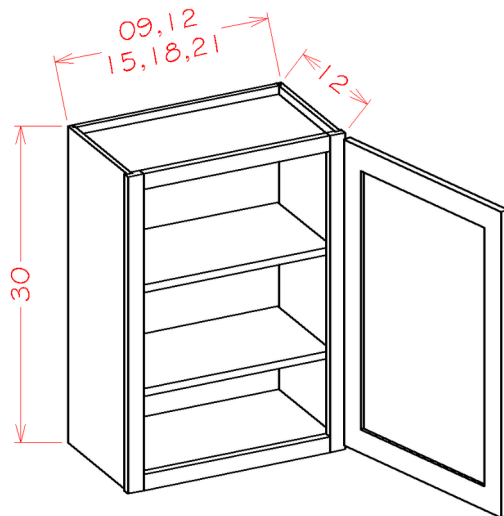


Model	Description	Width	Height	Depth
BMW30	Cabinet Dimension	30	34½	24
	Microwave Opening	26½	16½	23
	Drawer Front	29½	6¼	¾
	Drawer Box	26	3¾	21

- Microwave Opening trimmable to 20⅞" High
- Natural Interior

PRODUCT SPECIFICATIONS

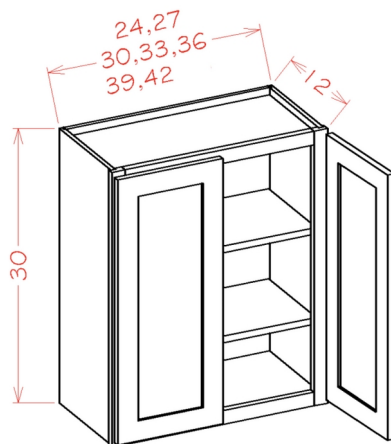
30" High Wall Cabinets - Single Door *2 adjustable Shelves



Model	Description	Width	Height	Depth
W0930	Cabinet Dimension	9	30	12
	Door Dimension	8½	29	¾
W1230	Cabinet Dimension	12	30	12
	Door Dimension	11½	29	¾
W1530	Cabinet Dimension	15	30	12
	Door Dimension	14½	29	¾
W1830	Cabinet Dimension	18	30	12
	Door Dimension	17½	29	¾
W2130	Cabinet Dimension	21	30	12
	Door Dimension	20½	29	¾

22

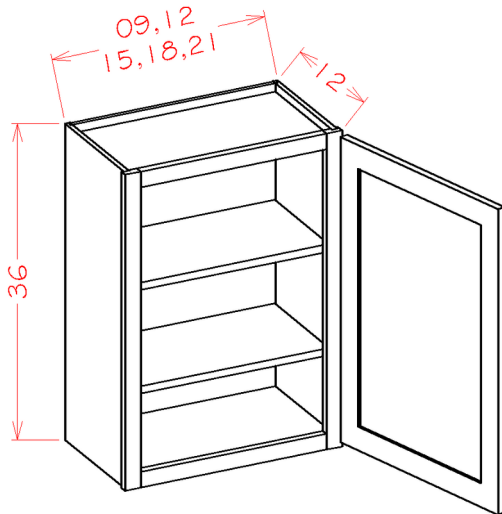
30" High Wall Cabinets - Double Door *2 adjustable Shelves



Model	Description	Width	Height	Depth
W2430	Cabinet Dimension	24	30	12
	Door Dimension	11¾	29	¾
W2730	Cabinet Dimension	27	30	12
	Door Dimension	13¼	29	¾
W3030	Cabinet Dimension	30	30	12
	Door Dimension	14¾	29	¾
W3330	Cabinet Dimension	33	30	12
	Door Dimension	16¼	29	¾
W3630	Cabinet Dimension	36	30	12
	Door Dimension	17¾	29	¾
W3930	Cabinet Dimension	39	30	12
	Door Dimension	19¼	29	¾
W4230	Cabinet Dimension	42	30	12
	Door Dimension	20¾	29	¾

PRODUCT SPECIFICATIONS

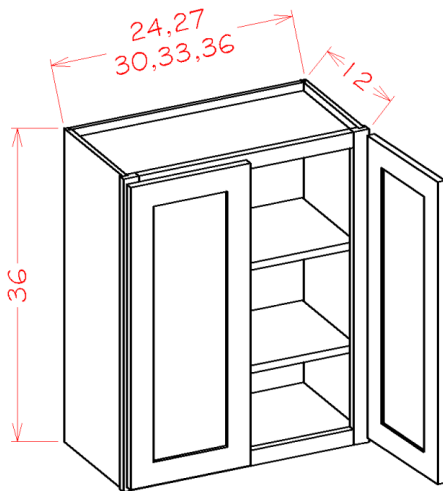
36" High Wall Cabinets - Single Door *2 adjustable Shelves



Model	Description	Width	Height	Depth
W0936	Cabinet Dimension	9	36	12
	Door Dimension	8½	35	¾
W1236	Cabinet Dimension	12	36	12
	Door Dimension	11½	35	¾
W1536	Cabinet Dimension	15	36	12
	Door Dimension	14½	35	¾
W1836	Cabinet Dimension	18	36	12
	Door Dimension	17½	35	¾
W2136	Cabinet Dimension	21	36	12
	Door Dimension	20½	35	¾

23

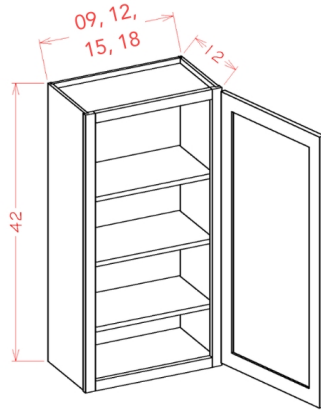
36" High Wall Cabinets - Double Door *2 adjustable Shelves



Model	Description	Width	Height	Depth
W2436	Cabinet Dimension	24	36	12
	Door Dimension	11¾	35	¾
W2736	Cabinet Dimension	27	36	12
	Door Dimension	13¼	35	¾
W3036	Cabinet Dimension	30	36	12
	Door Dimension	14¾	35	¾
W3336	Cabinet Dimension	33	36	12
	Door Dimension	16¼	35	¾
W3636	Cabinet Dimension	36	36	12
	Door Dimension	17¾	35	¾

PRODUCT SPECIFICATIONS

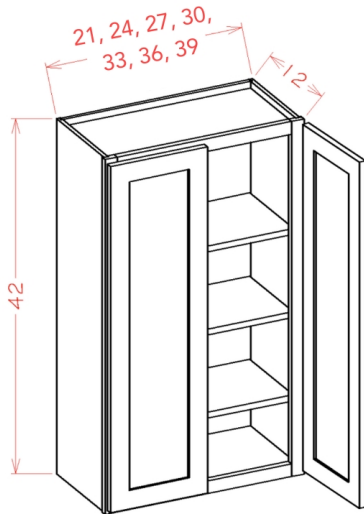
42" High Wall Cabinets - Single Door *3 adjustable Shelves



Model	Description	Width	Height	Depth
W0942	Cabinet Dimension	9	42	12
	Door Dimension	8½	41	¾
W1242	Cabinet Dimension	12	42	12
	Door Dimension	11½	41	¾
W1542	Cabinet Dimension	15	42	12
	Door Dimension	14½	41	¾
W1842	Cabinet Dimension	18	42	12
	Door Dimension	17½	41	¾

24

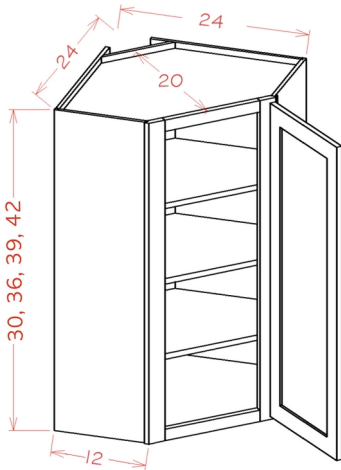
42" High Wall Cabinets - Double Door *3 adjustable Shelves



Model	Description	Width	Height	Depth
W2142	Cabinet Dimension	21	42	12
	Door Dimension	20½	41	¾
W2442	Cabinet Dimension	24	42	12
	Door Dimension	11¾	41	¾
W2742	Cabinet Dimension	27	42	12
	Door Dimension	13¼	41	¾
W3042	Cabinet Dimension	30	42	12
	Door Dimension	14¾	41	¾
W3342	Cabinet Dimension	33	42	12
	Door Dimension	16¼	41	¾
W3642	Cabinet Dimension	36	42	12
	Door Dimension	17¾	41	¾
W3942	Cabinet Dimension	39	42	12
	Door Dimension	19¼	41	¾

PRODUCT SPECIFICATIONS

Diagonal Corner Wall Cabinets

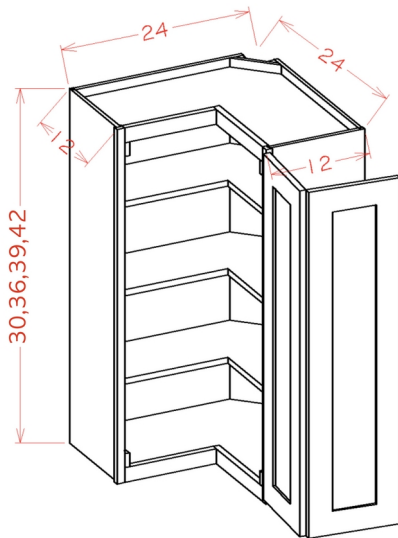


Model	Description	Width	Height	Depth
DCW2430	Cabinet Dimension	24	30	12
	Door Dimension	15 $\frac{1}{4}$	29	$\frac{3}{4}$
DCW2436	Cabinet Dimension	24	36	12
	Door Dimension	15 $\frac{1}{4}$	35	$\frac{3}{4}$
DCW2439	Cabinet Dimension	24	39	12
	Door Dimension	15 $\frac{1}{4}$	38	$\frac{3}{4}$
	Cabinet Dimension	24	42	12
	Door Dimension	15 $\frac{1}{4}$	41	$\frac{3}{4}$

- DCW Inside Openings are 12 $\frac{1}{8}$ " Wide
- 30 and 36" H cabinets only have two shelves.

25

Wall Easy Reach

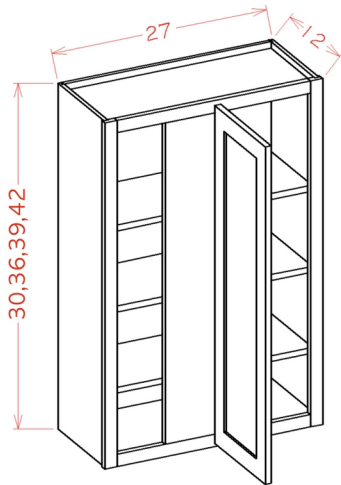


Model	Description	Width	Height	Depth
WER2430	Cabinet Dimension	24	30	12
	Door Dimension	10 $\frac{5}{8}$	29	$\frac{3}{4}$
WER2436	Cabinet Dimension	24	36	12
	Door Dimension	10 $\frac{5}{8}$	35	$\frac{3}{4}$
WER2439	Cabinet Dimension	24	39	12
	Door Dimension	10 $\frac{5}{8}$	38	$\frac{3}{4}$
	Cabinet Dimension	24	42	12
	Door Dimension	10 $\frac{5}{8}$	41	$\frac{3}{4}$

- 30 and 36" H cabinets only have two shelves.

PRODUCT SPECIFICATIONS

Wall Blind Cabinets



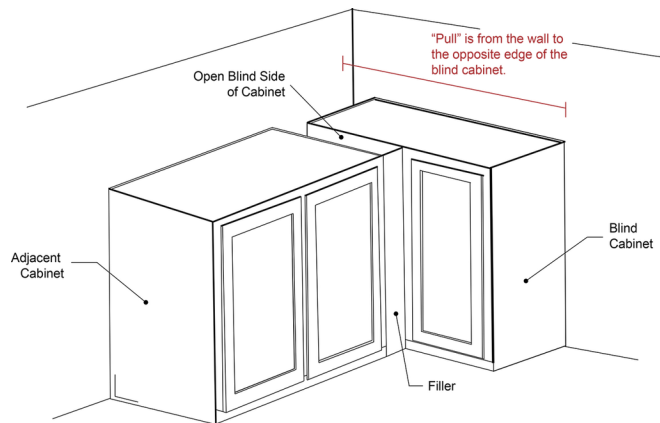
Model	Description	Width	Height	Depth
WBC2730	Cabinet Dimension	27	30	12
	Door Dimension	12½	29	¾
	Door Opening	7¾	26½	12
WBC2736	Cabinet Dimension	27	36	12
	Door Dimension	12½	35	¾
	Door Opening	7¾	32½	12
WBC2739	Cabinet Dimension	27	39	12
	Door Dimension	12½	38	¾
	Door Opening	7¾	35½	12
WBC2742	Cabinet Dimension	27	42	12
	Door Dimension	12½	41	¾
	Door Opening	7¾	38½	12

26

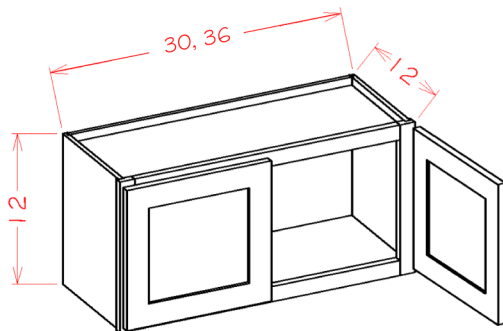
Box Size Min Max Stile

27	28	31	8
----	----	----	---

- Must Use Filler (not supplied)



Bridge Cabinets - 12" High

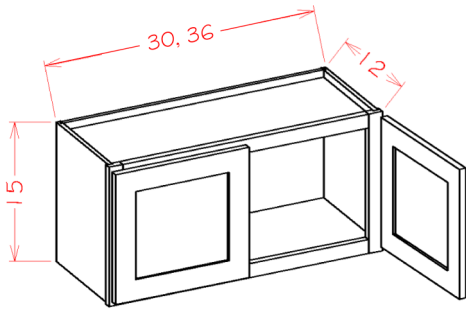


Model	Description	Width	Height	Depth
W3012	Cabinet Dimension	30	12	12
	Door Dimension	14¾	11	¾
W3612	Cabinet Dimension	36	12	12
	Door Dimension	17¾	11	¾



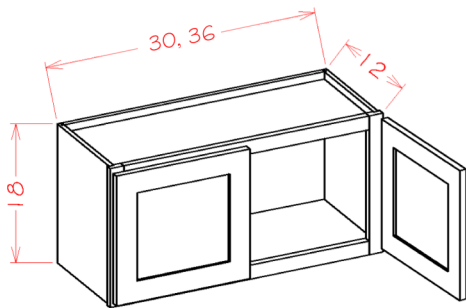
PRODUCT SPECIFICATIONS

Bridge Cabinets - 15" High



Model	Description	Width	Height	Depth
W3015	Cabinet Dimension	30	15	12
	Door Dimension	14 ³ / ₄	14	³ / ₄
W3615	Cabinet Dimension	36	15	12
	Door Dimension	17 ³ / ₄	14	³ / ₄

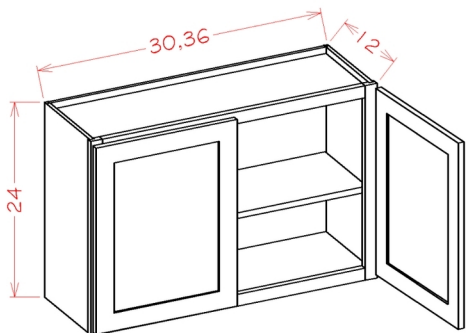
Bridge Cabinets - 18" High



Model	Description	Width	Height	Depth
W3018	Cabinet Dimension	30	18	12
	Door Dimension	14 ³ / ₄	17	³ / ₄
W3618	Cabinet Dimension	36	18	12
	Door Dimension	17 ³ / ₄	17	³ / ₄

27

Bridge Cabinets - 24" High

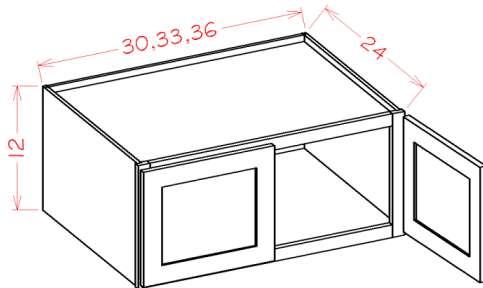


Model	Description	Width	Height	Depth
W3024	Cabinet Dimension	30	24	12
	Door Dimension	14 ³ / ₄	23	³ / ₄
W3624	Cabinet Dimension	36	24	12
	Door Dimension	17 ³ / ₄	23	³ / ₄

- All 24" High Cabinets Include One Inner Shelf

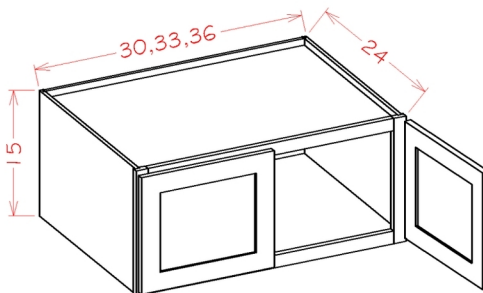
PRODUCT SPECIFICATIONS

Wall Refrigerator Cabinets - 12" H (24" deep)



Model	Description	Width	Height	Depth
W301224	Cabinet Dimension	30	12	24
	Door Dimension	14 ³ / ₄	11	³ / ₄
W331224	Cabinet Dimension	33	12	24
	Door Dimension	16 ¹ / ₂	11	³ / ₄
W361224	Cabinet Dimension	36	12	24
	Door Dimension	17 ³ / ₄	11	³ / ₄

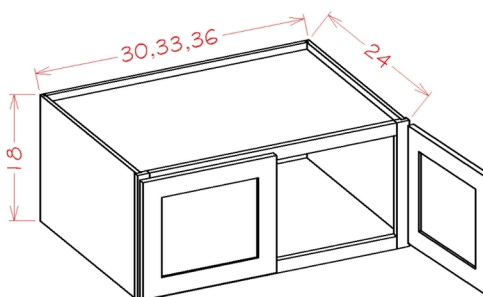
Wall Refrigerator Cabinets - 15" H (24" deep)



Model	Description	Width	Height	Depth
W301524	Cabinet Dimension	30	15	24
	Door Dimension	14 ³ / ₄	14	³ / ₄
W331524	Cabinet Dimension	33	15	24
	Door Dimension	16 ¹ / ₂	14	³ / ₄
W361524	Cabinet Dimension	36	15	24
	Door Dimension	17 ³ / ₄	14	³ / ₄

28

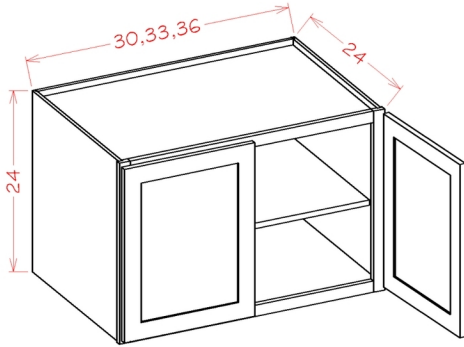
Wall Refrigerator Cabinets - 18" H (24" deep)



Model	Description	Width	Height	Depth
W301824	Cabinet Dimension	30	18	24
	Door Dimension	14 ³ / ₄	17	³ / ₄
W331824	Cabinet Dimension	33	18	24
	Door Dimension	16 ¹ / ₂	17	³ / ₄
W361824	Cabinet Dimension	36	18	24
	Door Dimension	17 ³ / ₄	17	³ / ₄

PRODUCT SPECIFICATIONS

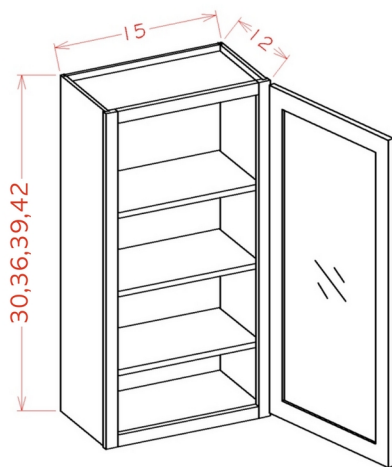
Wall Refrigerator Cabinets - 24" H (24" deep)



Model	Description	Width	Height	Depth
W302424	Cabinet Dimension	30	24	24
	Door Dimension	14¾	23	¾
W332424	Cabinet Dimension	33	24	24
	Door Dimension	16½	23	¾
W362424	Cabinet Dimension	36	24	24
	Door Dimension	17¾	23	¾

- All 24" High Cabinets Include One Inner Shelf

Glass Door Wall Cabinets - Single Door

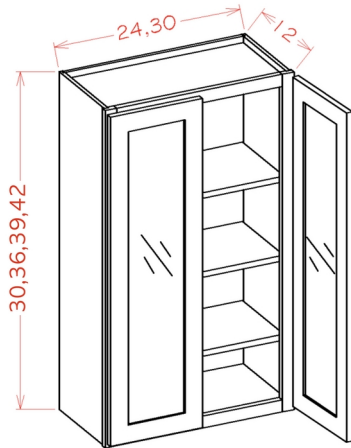


Model	Description	Width	Height	Depth
W1530GD	Cabinet Dimension	15	30	12
	Door Dimension	14½	29	¾
W1536GD	Cabinet Dimension	15	36	12
	Door Dimension	14½	35	¾
W1539GD	Cabinet Dimension	15	39	12
	Door Dimension	14½	38	¾
W1542GD	Cabinet Dimension	15	42	12
	Door Dimension	14½	41	¾

- These cabinets do not come with mullions or glass
- The interior is painted/stained to match the exterior

PRODUCT SPECIFICATIONS

Glass Door Wall Cabinets - Double Door

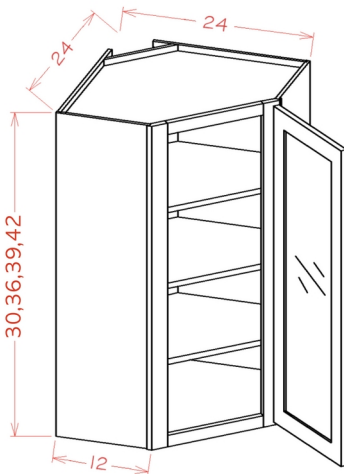


Model	Description	Width	Height	Depth
W2430GD	Cabinet Dimension	24	30	12
	Door Dimension	11 ³ / ₄	29	³ / ₄
W2436GD	Cabinet Dimension	24	36	12
	Door Dimension	11 ³ / ₄	35	³ / ₄
W2442GD	Cabinet Dimension	24	42	12
	Door Dimension	11 ³ / ₄	41	³ / ₄
W3030GD	Cabinet Dimension	30	30	12
	Door Dimension	14 ³ / ₄	29	³ / ₄
W3036GD	Cabinet Dimension	30	36	12
	Door Dimension	14 ³ / ₄	35	³ / ₄
W3039GD	Cabinet Dimension	30	39	12
	Door Dimension	14 ³ / ₄	38	³ / ₄
W2442GD	Cabinet Dimension	30	42	12
	Door Dimension	14 ³ / ₄	41	³ / ₄

30

- These cabinets do not come with mullions or glass
- The interior is painted/stained to match the exterior

Glass Door Diagonal Wall Cabinet

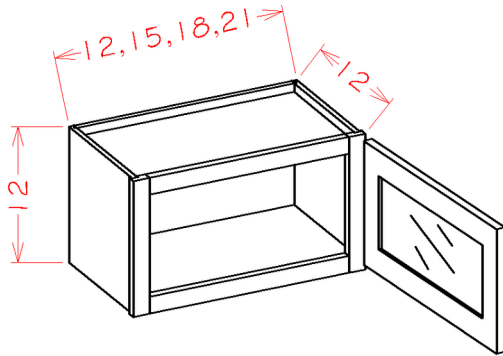


Model	Description	Width	Height	Depth
DCW2430GD	Cabinet Dimension	24	30	12
	Door Dimension	15 ¹ / ₄	29	³ / ₄
DCW2436GD	Cabinet Dimension	24	36	12
	Door Dimension	15 ¹ / ₄	35	³ / ₄
DCW2439GD	Cabinet Dimension	24	39	12
	Door Dimension	15 ¹ / ₄	38	³ / ₄
DCW2442GD	Cabinet Dimension	24	42	12
	Door Dimension	15 ¹ / ₄	41	³ / ₄

- These cabinets do not come with mullions or glass
- The interior is painted/stained to match the exterior
- DCW Inside Openings are 12 1/8 " Wide

PRODUCT SPECIFICATIONS

Glass Door Wall Stacker Cabinets 12"H - Single Door

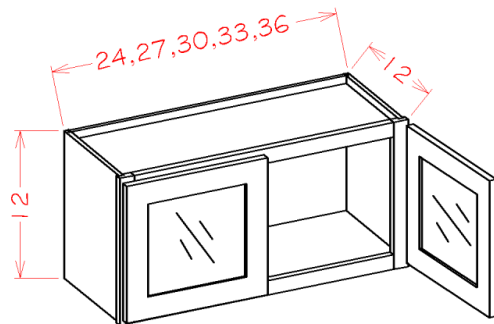


Model	Description	Width	Height	Depth
W1212GD	Cabinet Dimension	12	12	12
	Door Dimension	11½	11	¾
W1512GD	Cabinet Dimension	15	12	12
	Door Dimension	14½	11	¾
W1812GD	Cabinet Dimension	18	12	12
	Door Dimension	17½	11	¾
W2112GD	Cabinet Dimension	21	12	12
	Door Dimension	20½	11	¾

- These cabinets do not come with mullions or glass
- The interior is painted/stained to match the exterior

31

Glass Door Wall Stacker Cabinets 12"H - Double Door

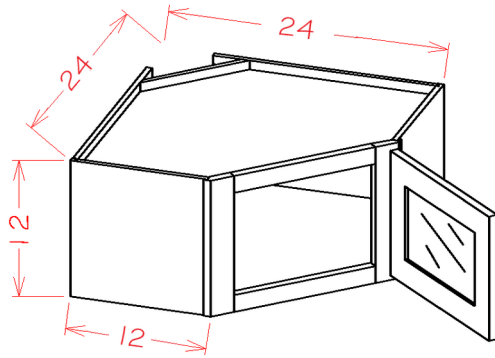


Model	Description	Width	Height	Depth
W2412GD	Cabinet Dimension	24	12	12
	Door Dimension	11¾	11	¾
W2712GD	Cabinet Dimension	27	12	12
	Door Dimension	13¾	11	¾
W3012GD	Cabinet Dimension	30	12	12
	Door Dimension	14¾	11	¾
W3312GD	Cabinet Dimension	33	12	12
	Door Dimension	16¾	11	¾
W3612GD	Cabinet Dimension	36	12	12
	Door Dimension	17¾	11	¾

- These cabinets do not come with mullions or glass
- The interior is painted/stained to match the exterior

PRODUCT SPECIFICATIONS

Glass Door Diagonal Wall Stacker Cabinets 12" H

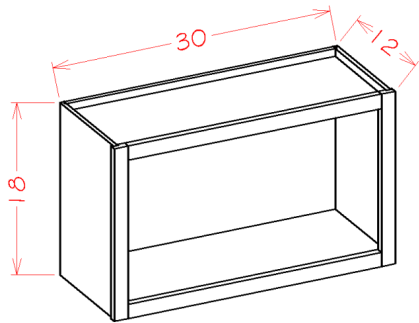


Model	Description	Width	Height	Depth
DCW2412GD	Cabinet Dimension	24	12	12
	Door Dimension	15 $\frac{1}{4}$	11	$\frac{3}{4}$

- These cabinets do not come with mullions or glass
- The interior is painted/stained to match the exterior

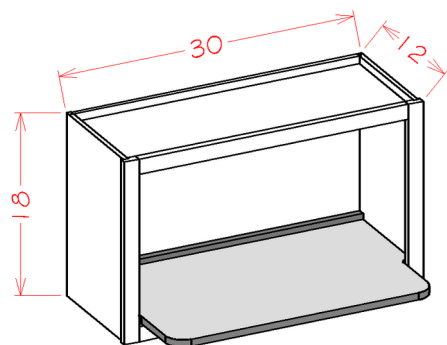
Wall Accessory Cabinets - Wall Open Cabinet

32



Model	Description	Width	Height	Depth
WOC3018	Cabinet Dimension	30	18	12
	No Doors	N/A	N/A	N/A

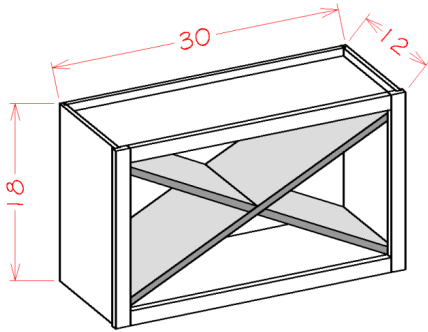
Wall Accessory Cabinets - Wall Open Cabinet Microwave Shelf Insert



Model	Description	Width	Height	Depth
WMSSHELF	Installed Shelf Dimension	26 $\frac{1}{2}$	$\frac{3}{4}$	17

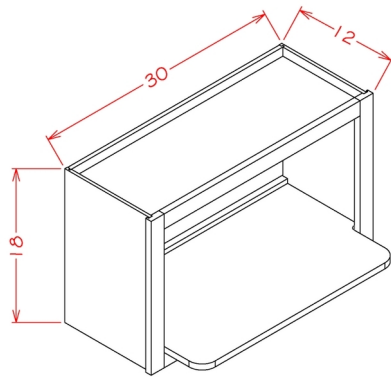
PRODUCT SPECIFICATIONS

Wall Accessory Cabinets - Wall Open Cabinet - X Rack Insert



Model	Description	Width	Height	Depth
WXRSHELF	Installed Shelf Dimension	26½	14½	11

Wall Accessory Cabinets - Wall Microwave Cabinet Kits

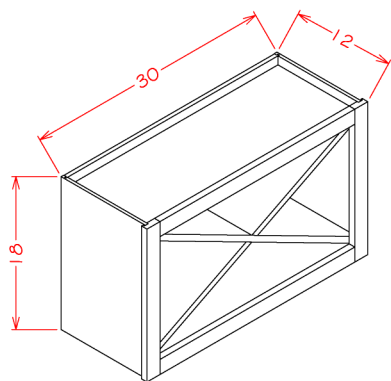


Model	Description	Width	Height	Depth
WMS3018	Cabinet Dimension	30	18	12
	Shelf Dimension	26½	¾	17

- Two boxes will be received when ordering this cabinet kit flat pack.

33

Wall Accessory Cabinets - Wall X Rack Cabinet Kit

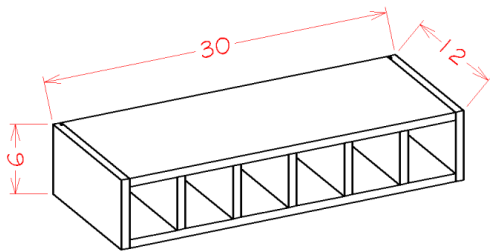


Model	Description	Width	Height	Depth
WXR3018	Cabinet Dimension	30	18	12
	Shelf Dimension	26½	14½	11

- Two boxes will be received when ordering this cabinet kit flat pack.

PRODUCT SPECIFICATIONS

Wall Accessory Cabinets - Wine Cubby

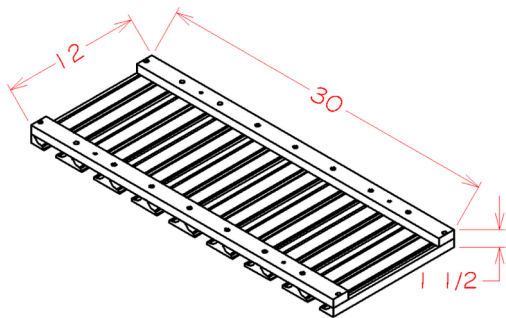


Model	Description	Width	Height	Depth
WWC630	Cabinet Dimension	30	6	12

- Fits 6 Bottles

Specialty Wall - Stem Glass Holder

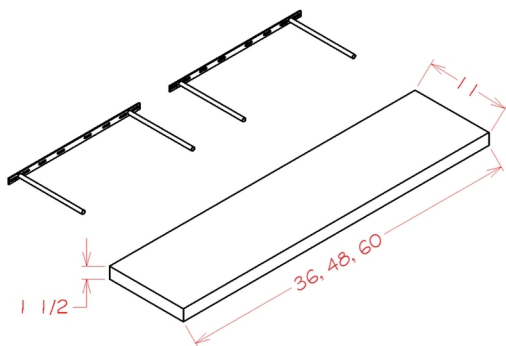
34



Model	Description	Width	Height	Depth
SGH30	Dimension	30	1½	12

- Allows for stemmed glasses with bases up to 3"W.

Specialty Wall - Floating Shelves

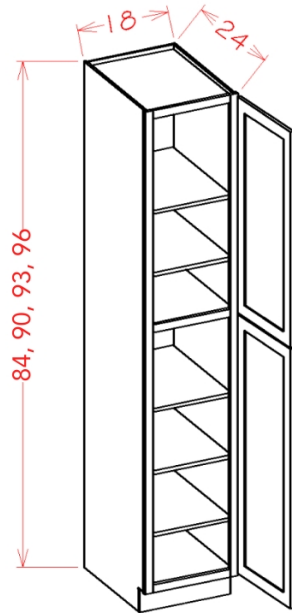


Model	Description	Width	Height	Depth
FS36	Dimension	36	1½	11
FS48	Dimension	48	1½	11
FS60	Dimension	60	1½	11

- 36"W floating shelf only has one mounting bracket.
- Recommended Max Weight: 25 lbs

PRODUCT SPECIFICATIONS

Utility Cabinets - Two Doors



Model	Description	Width	Height	Depth
U188424	Cabinet Dimension	18	84	24
	Top Door Dimension	17½	29	¾
	Bottom Door Dimension	17½	49¼	¾
U189024	Cabinet Dimension	18	90	24
	Top Door Dimension	17½	35	¾
	Bottom Door Dimension	17½	49¼	¾
U189324	Cabinet Dimension	18	93	24
	Top Door Dimension	17½	38	¾
	Bottom Door Dimension	17½	49¼	¾
U189624	Cabinet Dimension	18	96	24
	Top Door Dimension	17½	41	¾
	Bottom Door Dimension	17½	49¼	¾

- Shaker & Torrance doors have a horizontal rail in the center of the bottom door.

35

Utility Cabinets - Four Doors

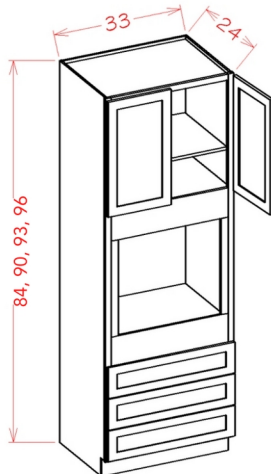


Model	Description	Width	Height	Depth
U248424	Cabinet Dimension	24	84	24
	Top Door Dimension	11¾	29	¾
	Bottom Door Dimension	11¾	49¼	¾
U249024	Cabinet Dimension	24	90	24
	Top Door Dimension	11¾	35	¾
	Bottom Door Dimension	11¾	49¼	¾
U249324	Cabinet Dimension	24	93	24
	Top Door Dimension	11¾	38	¾
	Bottom Door Dimension	11¾	49¼	¾
U249624	Cabinet Dimension	24	96	24
	Top Door Dimension	11¾	41	¾
	Bottom Door Dimension	11¾	49¼	¾
U309024	Cabinet Dimension	30	90	24
	Top Door Dimension	14¾	35	¾
	Bottom Door Dimension	14¾	49¼	¾
U309324	Cabinet Dimension	30	93	24
	Top Door Dimension	14¾	38	¾
	Bottom Door Dimension	14¾	49¼	¾
U309624	Cabinet Dimension	30	96	24
	Top Door Dimension	14¾	41	¾
	Bottom Door Dimension	14¾	49¼	¾

- Shaker & Torrance doors have a horizontal rail in the center of the bottom door.

PRODUCT SPECIFICATIONS

Oven Cabinets

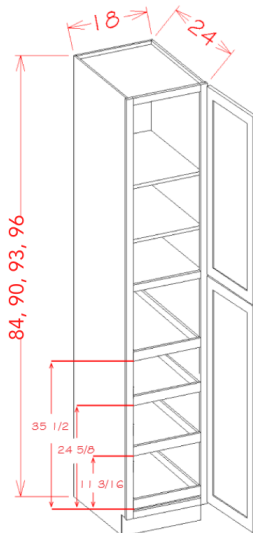


- Oven opening can be modified to accommodate a double oven
- Height up to 46" with removal of top drawers/cut down of top rails
- Width up to 31 1/2" wide with cut down of stiles

Model	Description	Width	Height	Depth
O338424	Cabinet Dimension	33	84	24
	Door Dimension	16 1/4	17	3/4
	Drawer Fronts	32 1/2	7 3/4	3/4
	Drawer Boxes	29	5 1/8	20 3/8
	Oven Opening	26 1/2	24 3/8	22 3/4
O339024	Cabinet Dimension	33	90	24
	Door Dimension	16 1/4	23	3/4
	Drawer Fronts	32 1/2	7 3/4	3/4
	Drawer Boxes	29	5 1/8	20 3/8
	Oven Opening	26 1/2	24 3/8	22 3/4
O339324	Cabinet Dimension	33	93	24
	Door Dimension	16 1/4	26	3/4
	Drawer Fronts	32 1/2	7 3/4	3/4
	Drawer Boxes	29	5 1/8	20 3/8
	Oven Opening	26 1/2	24 3/8	22 3/4
O339624	Cabinet Dimension	33	96	24
	Door Dimension	16 1/4	29	3/4
	Drawer Fronts	32 1/2	7 3/4	3/4
	Drawer Boxes	29	5 1/8	20 3/8
	Oven Opening	26 1/2	24 3/8	22 3/4

36

Accessory Tall Cabinets - Two Door Utility Four Rollout Shelf Cabinet Kit

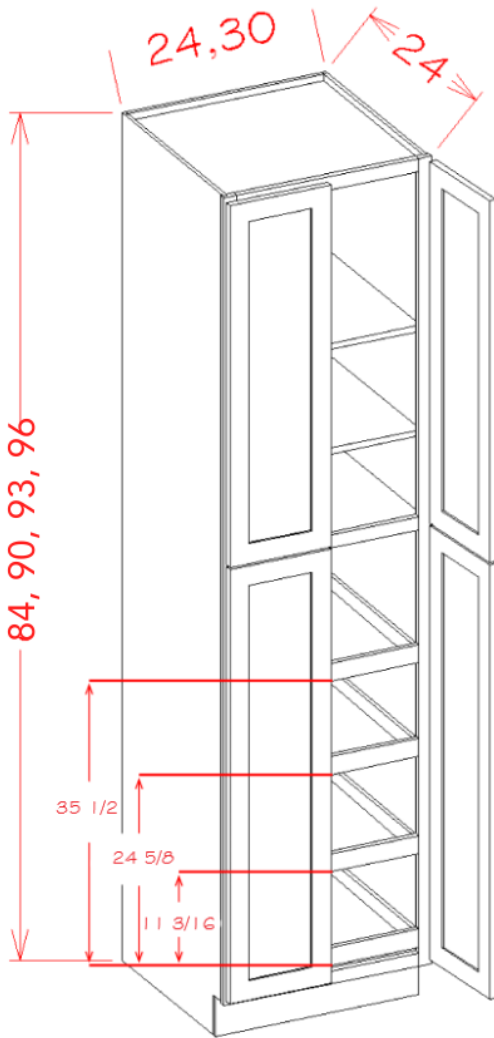


- Shaker & Torrance doors have a horizontal rail in the center of the bottom door.
- Assembled cabinets with Rollout Shelf kits are **ONLY** installed as indicated in the line drawing
- Five boxes will be received when ordering this cabinet kit flat pack.
- Rollout Shelf glides are side mounted ball bearing with no soft close.

Model	Description	Width	Height	Depth
U188424RS	Cabinet Dimension	18	84	24
	Top Door Dimension	17 1/2	29	3/4
	Bottom Door Dimension	17 1/2	49 1/4	3/4
	Rollout Shelf	13 3/8	3 3/8	20 7/16
U189024RS	Cabinet Dimension	18	90	24
	Top Door Dimension	17 1/2	35	3/4
	Bottom Door Dimension	17 1/2	49 1/4	3/4
	Rollout Shelf	13 3/8	3 3/8	20 7/16
U189324RS	Cabinet Dimension	18	93	24
	Top Door Dimension	17 1/2	38	3/4
	Bottom Door Dimension	17 1/2	49 1/4	3/4
	Rollout Shelf	13 3/8	3 3/8	20 7/16
U189624RS	Cabinet Dimension	18	96	24
	Top Door Dimension	17 1/2	41	3/4
	Bottom Door Dimension	17 1/2	49 1/4	3/4
	Rollout Shelf	13 3/8	3 3/8	20 7/16

PRODUCT SPECIFICATIONS

Accessory Tall Cabinets - Four Door Utility Four Rollout Shelf Cabinet Kit

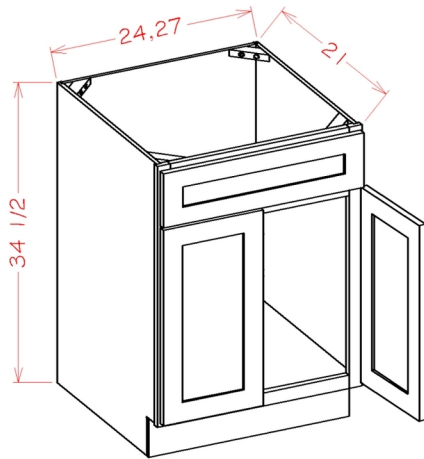


Model	Description	Width	Height	Depth
U2484244RS	Cabinet Dimension	24	84	24
	Top Door Dimension	11 ³ / ₄	29	³ / ₄
	Bottom Door Dimension	11 ³ / ₄	49 ¹ / ₄	³ / ₄
	Rollout Shelf	19 ¹ / ₂	3 ³ / ₈	20 ⁷ / ₁₆
U2490244RS	Cabinet Dimension	24	90	24
	Top Door Dimension	11 ³ / ₄	35	³ / ₄
	Bottom Door Dimension	11 ³ / ₄	49 ¹ / ₄	³ / ₄
	Rollout Shelf	19 ¹ / ₂	3 ³ / ₈	20 ⁷ / ₁₆
U2493244RS	Cabinet Dimension	24	93	24
	Top Door Dimension	11 ³ / ₄	38	³ / ₄
	Bottom Door Dimension	11 ³ / ₄	49 ¹ / ₄	³ / ₄
	Rollout Shelf	19 ¹ / ₂	3 ³ / ₈	20 ⁷ / ₁₆
U2496244RS	Cabinet Dimension	24	96	24
	Top Door Dimension	11 ³ / ₄	41	³ / ₄
	Bottom Door Dimension	11 ³ / ₄	49 ¹ / ₄	³ / ₄
	Rollout Shelf	19 ¹ / ₂	3 ³ / ₈	20 ⁷ / ₁₆
U3090244RS	Cabinet Dimension	30	90	24
	Top Door Dimension	14 ³ / ₄	35	³ / ₄
	Bottom Door Dimension	14 ³ / ₄	49 ¹ / ₄	³ / ₄
	Rollout Shelf	25 ³ / ₈	3 ³ / ₈	20 ⁷ / ₁₆
U3093244RS	Cabinet Dimension	30	93	24
	Top Door Dimension	14 ³ / ₄	38	³ / ₄
	Bottom Door Dimension	14 ³ / ₄	49 ¹ / ₄	³ / ₄
	Rollout Shelf	25 ³ / ₈	3 ³ / ₈	20 ⁷ / ₁₆
U3096244RS	Cabinet Dimension	30	96	24
	Top Door Dimension	14 ³ / ₄	41	³ / ₄
	Bottom Door Dimension	14 ³ / ₄	49 ¹ / ₄	³ / ₄
	Rollout Shelf	25 ³ / ₈	3 ³ / ₈	20 ⁷ / ₁₆

- Shaker & Torrance doors have a horizontal rail in the center of the bottom door.
- Assembled cabinets with Rollout Shelf kits are **ONLY** installed as indicated in the line drawing
- Five boxes will be received when ordering this cabinet kit flat pack.
- Rollout Shelf glides are side mounted ball bearing with no soft close.

PRODUCT SPECIFICATIONS

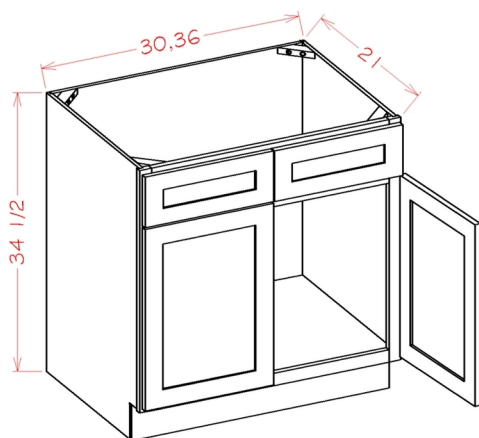
Vanity Sink Bases - Double Door Single Drawer Front



Model	Description	Width	Height	Depth
VS24	Cabinet Dimension	24	34½	21
	Door Dimension	11¾	22½	¾
	Drawer Front	23½	6¼	¾
VS27	Cabinet Dimension	27	34½	21
	Door Dimension	13¾	22½	¾
	Drawer Front	26½	6¼	¾

38

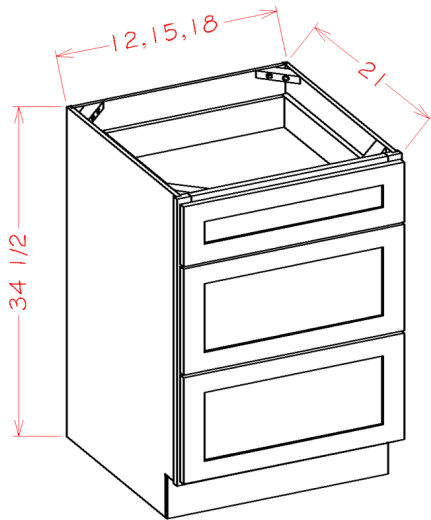
Vanity Sink Bases - Double Door Double Drawer Front



Model	Description	Width	Height	Depth
VS30	Cabinet Dimension	30	34½	21
	Door Dimension	14¾	22½	¾
	Drawer Front	14¾	6¼	¾
VS36	Cabinet Dimension	36	34½	21
	Door Dimension	17¾	22½	¾
	Drawer Front	17¾	6¼	¾

PRODUCT SPECIFICATIONS

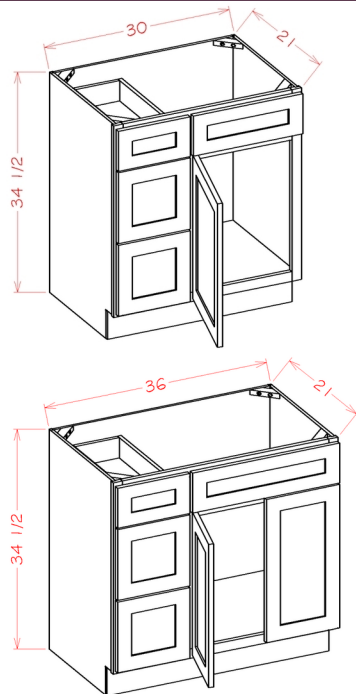
Vanity Drawer Bases



Model	Description	Width	Height	Depth
3VDB12	Cabinet Dimension	12	34½	21
	Top Drawer Front	11½	6¼	¾
	Bottom Drawer Front	11½	11⅛	¾
	Top Drawer Box	8	3 ⅜	17⅜
	Bottom Drawer Box	8	8¼	17⅜
3VDB15	Cabinet Dimension	15	34½	21
	Top Drawer Front	14½	6¼	¾
	Bottom Drawer Front	14½	11⅛	¾
	Top Drawer Box	11	3 ⅜	17⅜
	Bottom Drawer Box	11	8¼	17⅜
3VDB18	Cabinet Dimension	18	34½	21
	Top Drawer Front	17½	6¼	¾
	Bottom Drawer Front	17½	11⅛	¾
	Top Drawer Box	14	3 ⅜	17⅜
	Bottom Drawer Box	14	8¼	17⅜

39

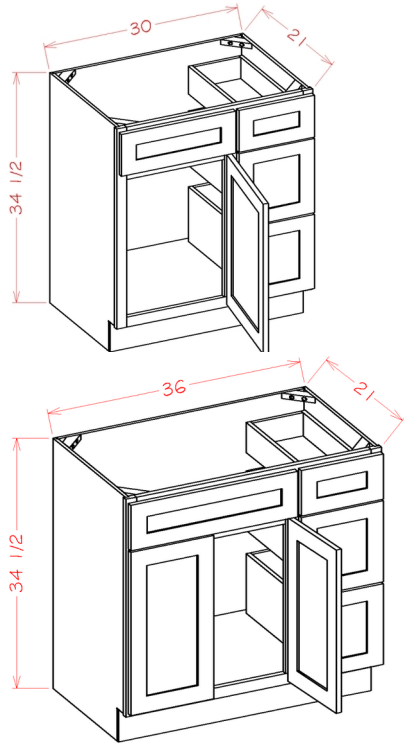
Vanity Combo Bases - Drawers Left



Model	Description	Width	Height	Depth
V3021DL	Cabinet Dimension	30	34½	21
	Top Drawer Front	11½	6¼	¾
	Bottom Drawer Front	11½	11⅛	¾
	Top Long Drawer Front	17½	6¼	¾
	Top Drawer Box	8	3 ⅜	18
	Bottom Drawer Box	8	8¼	18
	Door Dimension	17½	22½	¾
V3621DL	Cabinet Dimension	36	34½	21
	Top Drawer Front	11½	6¼	¾
	Bottom Drawer Front	11½	11⅛	¾
	Top Long Drawer Front	23½	6¼	¾
	Top Drawer Box	8	3 ⅜	18
	Bottom Drawer Box	8	8¼	18
	Door Dimension	11¾	22½	¾

PRODUCT SPECIFICATIONS

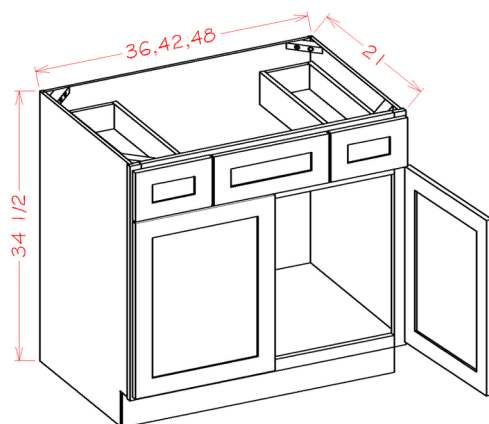
Vanity Combo Bases - Drawers Right



Model	Description	Width	Height	Depth
V3021DR	Cabinet Dimension	30	34½	21
	Top Drawer Front	11½	6¼	¾
	Bottom Drawer Front	11½	11⅛	¾
	Top Long Drawer Front	17½	6¼	¾
	Top Drawer Box	8	3⅜	18
	Bottom Drawer Box	8	8¼	18
	Door Dimension	17½	22½	¾
V3621DR	Cabinet Dimension	36	34½	21
	Top Drawer Front	11½	6¼	¾
	Bottom Drawer Front	11½	11⅛	¾
	Top Long Drawer Front	23½	6¼	¾
	Top Drawer Box	8	3⅜	18
	Bottom Drawer Box	8	8¼	18
	Door Dimension	11¾	22½	¾

40

Vanity Combo Bases

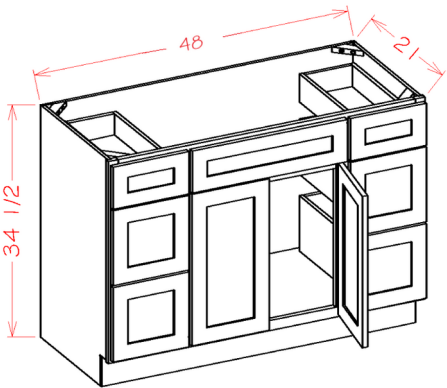
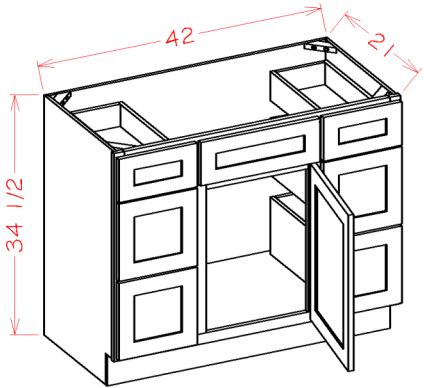


- The VSD42 & 48 have a center stile.

Model	Description	Width	Height	Depth
VSD36	Cabinet Dimension	36	34½	21
	Door Dimension	17¾	22½	¾
	Outside Drawer Front	10¼	6¼	¾
	Center Drawer Front	14½	6¼	¾
	Drawer Box	7⅜	3¼	17⅜
VSD42	Cabinet Dimension	42	34½	21
	Door Dimension	20¾	22½	¾
	Outside Drawer Front	11½	6¼	¾
	Center Drawer Front	18	6¼	¾
	Drawer Box	8⅞	3¼	17⅜
VSD48	Cabinet Dimension	48	34½	21
	Door Dimension	23¾	22½	¾
	Outside Drawer Front	14½	6¼	¾
	Center Drawer Front	18	6¼	¾
	Drawer Box	1⅞	3¼	17⅜

PRODUCT SPECIFICATIONS

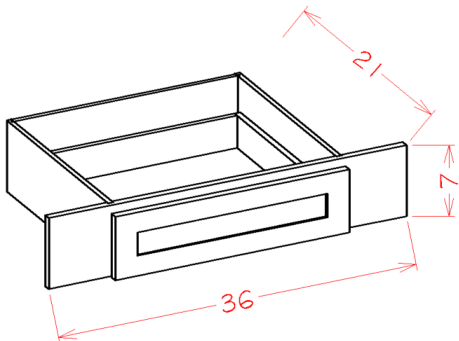
Vanity Combo Bases - Double Drawer Stack



Model	Description	Width	Height	Depth
VDDDB42	Cabinet Dimension	42	34½	21
	Top Drawer Front	11½	6¼	¾
	Bottom Drawer Front	11½	11⅛	¾
	Top Long Drawer Front	17⅝	6¼	¾
	Top Drawer Box	8	3⅜	18
	Bottom Drawer Box	8	8¼	18
	Door Dimension	17⅝	22½	¾
VDDDB48	Cabinet Dimension	48	34½	21
	Top Drawer Front	11½	6¼	¾
	Bottom Drawer Front	11½	11⅛	¾
	Top Long Drawer Front	23⅝	6¼	¾
	Top Drawer Box	8	3⅜	18
	Bottom Drawer Box	8	8¼	18
	Door Dimension	11¾	22½	¾

41

Special Vanity - Vanity Knee Drawer

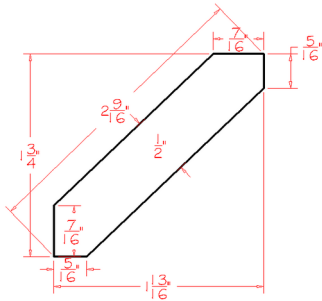


Model	Description	Width	Height	Depth
VKD36	Cabinet Dimension	36	7	21
	Drawer Front	23½	6¼	¾
	Drawer Box	19¾	3⅜	17⅜

- Trimmable to 27" wide

PRODUCT SPECIFICATIONS

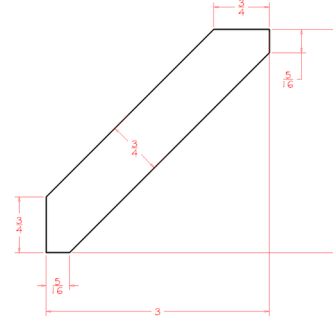
Crown Moulding - 1 3/4" H Angled Crown Moulding



Model	Description	Width	Height	Depth
ACM8	Dimension	96	1 3/4	1 13/16

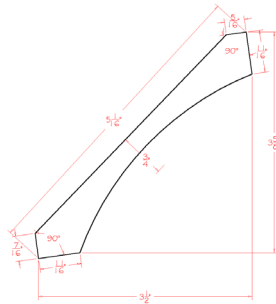
- Not available in Casselberry or York Styles

Crown Moulding - 3" H Angled Crown Moulding



Model	Description	Width	Height	Depth
LACM8	Dimension	96	3	3

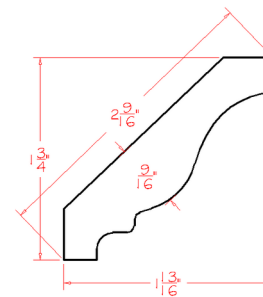
Crown Moulding - Cove Moulding



Model	Description	Width	Height	Depth
COV	Dimension	96	3 5/8	3 1/2

- Not available in Casselberry Styles

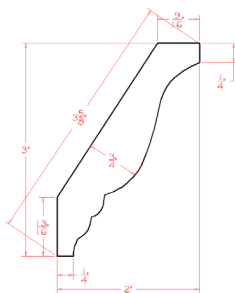
Crown Moulding - Classic Crown Moulding



Model	Description	Width	Height	Depth
CM8	Dimension	96	1 3/4	1 13/16

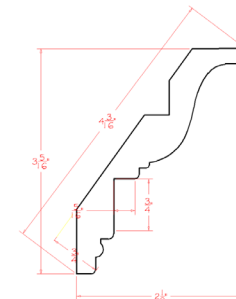
- Not available in Shaker or Torrance Styles

Crown Moulding - Decorative Crown Moulding



Model	Description	Width	Height	Depth
DCM	Dimension	96	3	2

Crown Moulding - Inset Crown Moulding

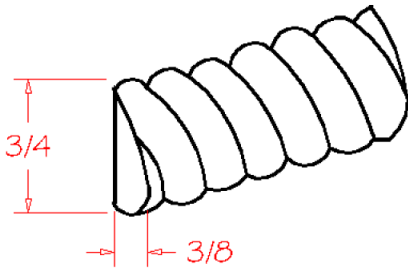


Model	Description	Width	Height	Depth
ICM	Dimension	96	3 5/16	2 1/2

- Not available in Shaker or Torrance Styles

PRODUCT SPECIFICATIONS

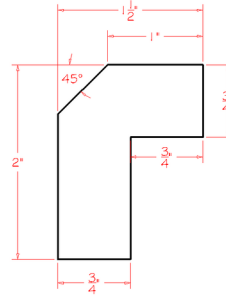
Mouldings - Rope Moulding



Model	Description	Width	Height	Depth
ROPE	Dimension	96	3/4	3/8

- Not available in Shaker or Torrance Styles

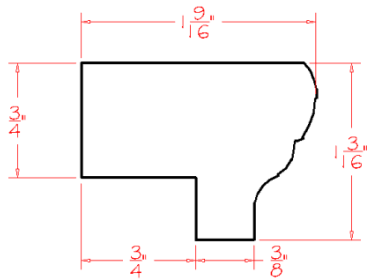
Mouldings - Angled Light Rail Moulding



Model	Description	Width	Height	Depth
ALRM	Dimension	96	1 1/2	2

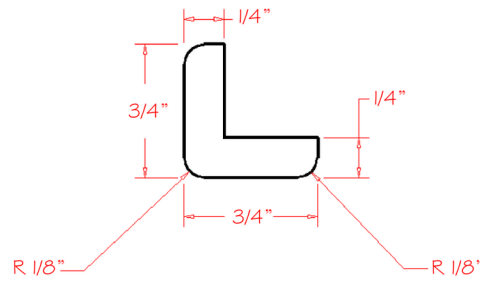
- Not available in Casselberry or York Styles

Mouldings - Light Rail Moulding



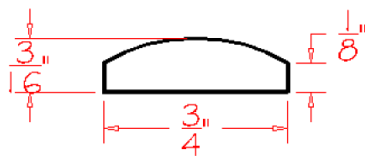
Model	Description	Width	Height	Depth
LRM	Dimension	96	1 3/16	1 9/16

Mouldings - Outside Corner Moulding



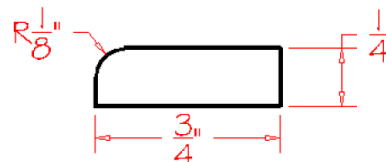
Model	Description	Width	Height	Depth
OCM	Dimension	96	3/4	3/4

Mouldings - Batten Moulding



Model	Description	Width	Height	Depth
BAM	Dimension	96	3/4	3/16

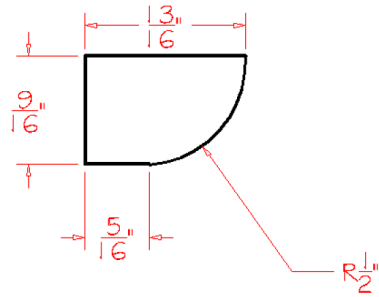
Mouldings - Scribe Moulding



Model	Description	Width	Height	Depth
SCR	Dimension	96	3/4	1/4

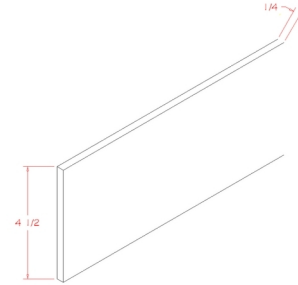
PRODUCT SPECIFICATIONS

Mouldings - Shoe Moulding



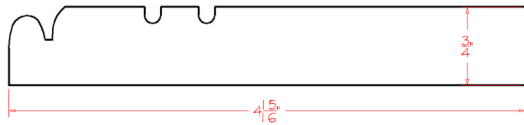
Model	Description	Width	Height	Depth
SHM	Dimension	96	3/4	1/2

Mouldings - Toe Kick Cover



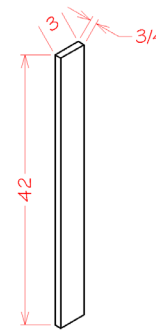
Model	Description	Width	Height	Depth
TKC	Dimension	96	4 1/2	1/4

Mouldings - Furniture Base Moulding



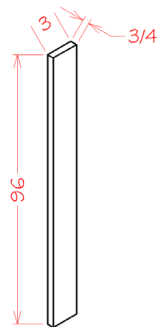
Model	Description	Width	Height	Depth
FBM	Dimension	96	4 15/16	3/4

Fillers - 3" Wall/Base Filler



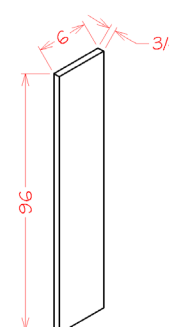
Model	Description	Width	Height	Depth
F342	Dimension	3	42	3/4

Fillers - 3" Tall Filler



Model	Description	Width	Height	Depth
F396	Dimension	3	96	3/4

Fillers - 6" Tall Filler



Model	Description	Width	Height	Depth
F696	Dimension	6	96	3/4

PRODUCT SPECIFICATIONS

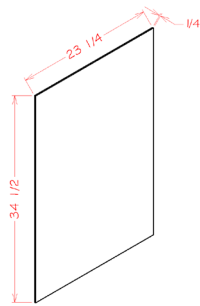
Filler Overlays



Model	Description	Width	Height	Depth
FOL630	Dimension	5½	29	¾
FOL636	Dimension	5½	35	¾
FOL642	Dimension	5½	41	¾

- Filler overlays have a matching door profile.
- 6" filler required for application (purchased separately)

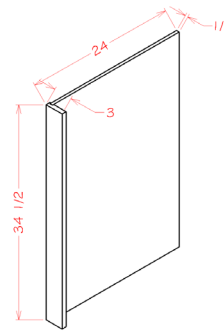
Panels - Base Skin Panel



Model	Description	Width	Height	Depth
BSV	Dimension	23 1/4	34 ½	¼

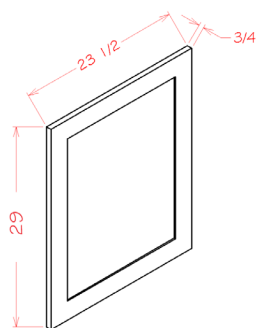
- Only finished on one side

Panels - Dishwasher Return Panel



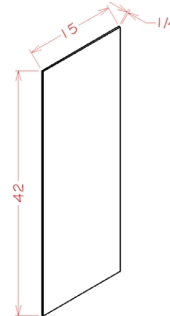
Model	Description	Width	Height	Depth
DWR3	Dimension	3	34 ½	24

Panels - Base Decorative End Panel



Model	Description	Width	Height	Depth
BDEP	Dimension	23 ½	29	¾

Panels - Wall Skin Panel

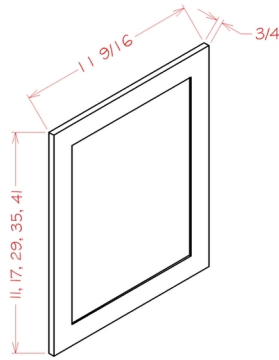


Model	Description	Width	Height	Depth
WSV42	Dimension	15	42	¼

- Only finished on one side

PRODUCT SPECIFICATIONS

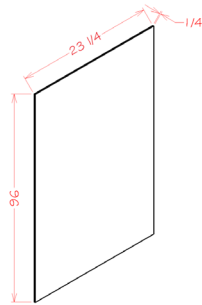
Panels - Wall Decorative End Panel



Model	Description	Width	Height	Depth
WDEP1212	Dimension	11½	11	¾
WDEP1218	Dimension	11½	17	¾
WDEP30	Dimension	11½	29	¾
WDEP36	Dimension	11½	35	¾
WDEP42	Dimension	11½	41	¾

46

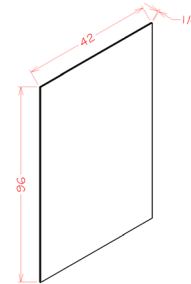
Panels - Utility Skin Panel



Model	Description	Width	Height	Depth
USV2496	Dimension	23 1/4	96	1/4

- Only finished on one side

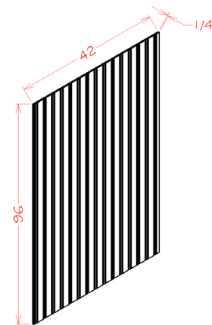
Panels - Long Skin Panel



Model	Description	Width	Height	Depth
FPV4296	Dimension	42	96	1/4

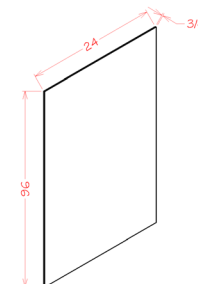
- Grain runs long way
- Only finished on one side

Panels - Bead Board Panel



Model	Description	Width	Height	Depth
BBFPV4296	Dimension	42	96	1/4

Panels - Finished Shelf Board

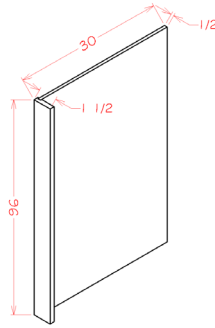


Model	Description	Width	Height	Depth
S2496	Dimension	24	96	¾

- One long edge banded to match
- Finished on both sides

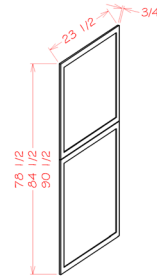
PRODUCT SPECIFICATIONS

Panels - Refrigerator End Panel



Model	Description	Width	Height	Depth
REPV3096	Dimension	1 1/2	96	30

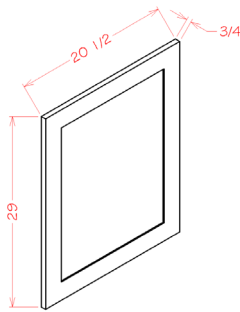
Panels - Tall Decorative End Panel



Model	Description	Width	Height	Depth
TDEP2484	Dimension	23 1/2	78 1/2	30
TDEP2490	Dimension	23 1/2	84 1/2	30
TDEP2496	Dimension	23 1/2	90 1/2	30

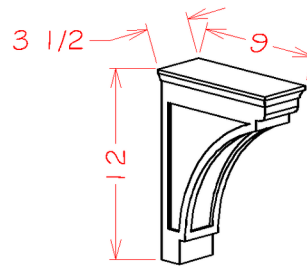
- Shaker & Torrance panels have horizontal rail in the center of the bottom panel.

Panels -Vanity Decorative End Panel



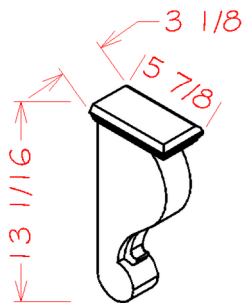
Model	Description	Width	Height	Depth
VDEP	Dimension	20 1/2	29	3/4

Corbels - Modern Corbel



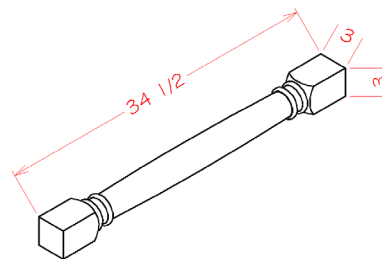
Model	Description	Width	Height	Depth
MCB	Dimension	3 1/2	12	9

Corbels - Traditional Corbel



Model	Description	Width	Height	Depth
CBT	Dimension	3 1/8	13 1/16	5 7/8

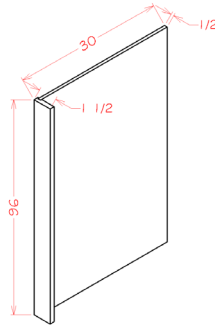
Decorative Legs - Classic Decorative Leg



Model	Description	Width	Height	Depth
CLDL	Dimension	3	34 1/2	3

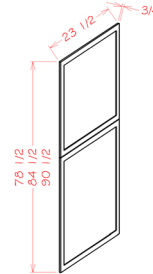
PRODUCT SPECIFICATIONS

Panels - Refrigerator End Panel



Model	Description	Width	Height	Depth
REPV3096	Dimension	1 1/2	96	30

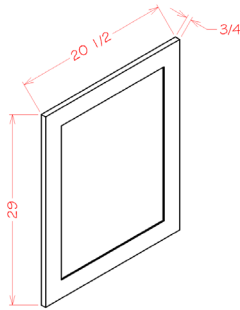
Panels - Tall Decorative End Panel



Model	Description	Width	Height	Depth
TDEP2484	Dimension	23 1/2	78 1/2	30
TDEP2490	Dimension	23 1/2	84 1/2	30
TDEP2496	Dimension	23 1/2	90 1/2	30

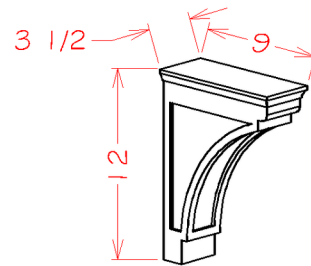
- Shaker & Torrance panels have horizontal rail in the center of the bottom panel.

Panels - Vanity Decorative End Panel



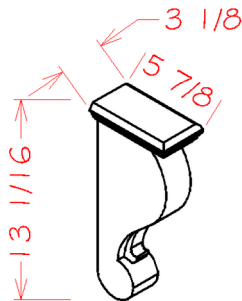
Model	Description	Width	Height	Depth
VDEP	Dimension	20 1/2	29	3/4

Corbels - Modern Corbel



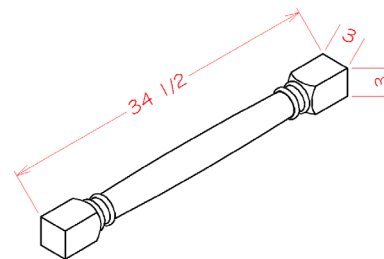
Model	Description	Width	Height	Depth
MCB	Dimension	3 1/2	12	9

Corbels - Traditional Corbel



Model	Description	Width	Height	Depth
CBT	Dimension	3 1/8	13 1/16	5 7/8

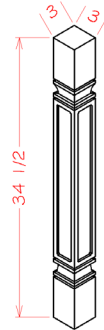
Decorative Legs - Classic Decorative Leg



Model	Description	Width	Height	Depth
CLDL	Dimension	3	34 1/2	3

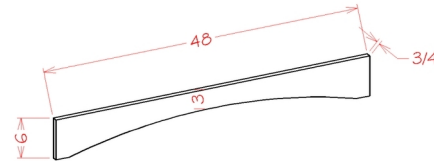
PRODUCT SPECIFICATIONS

Decorative Legs - Square Decorative Leg



Model	Description	Width	Height	Depth
SQDL	Dimension	3	34½	3

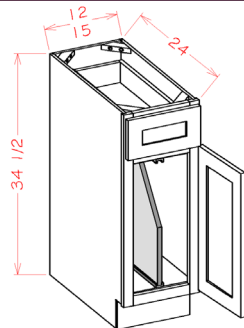
Valances - Shaker Valance



Model	Description	Width	Height	Depth
VASH48	Dimension	48	6	¾

- Trimmable on each side by 11/4"
- Finished on both sides and two long edges

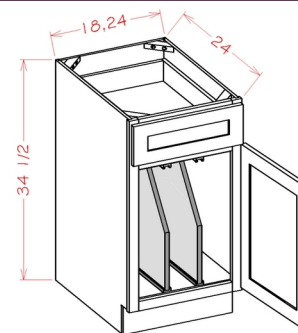
Accessories - Base Tray Divider



Model	Description	Width	Height	Depth
B12TDKIT	Dimension	¾	21	22½
B15TDKIT	Dimension	¾	21	22½

- Comes with one divider

Accessories - Base Tray Dividers

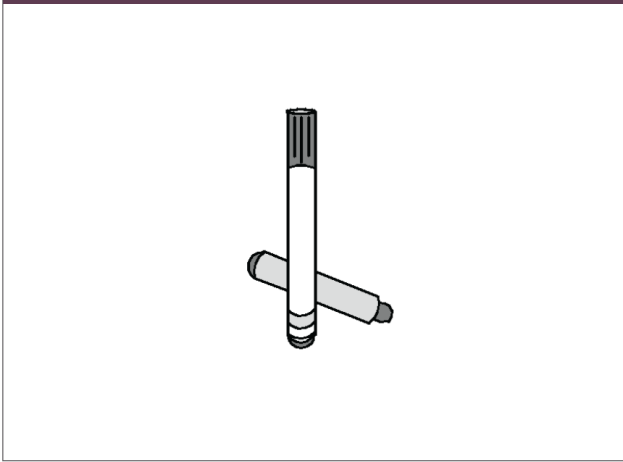


Model	Description	Width	Height	Depth
B18TDKIT	Dimension	¾	21	22½

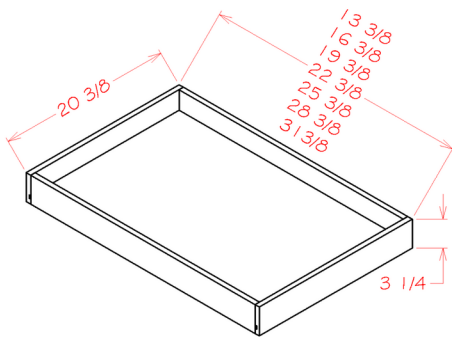
- Comes with two dividers

PRODUCT SPECIFICATIONS

Touch Up Kit - TUK



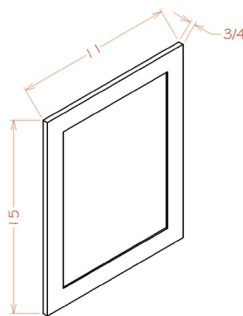
Roll Out Shelves



Model	Description	Width	Height	Depth
RS18-Type A	Dimension	13 ³ / ₈	3 ³ / ₈	20 ⁷ / ₁₆
RS21-Type A	Dimension	16 ³ / ₈	3 ³ / ₈	20 ⁷ / ₁₆
RS24-Type A	Dimension	19 ¹ / ₂	3 ³ / ₈	20 ⁷ / ₁₆
RS27-Type A	Dimension	22 ¹ / ₂	3 ³ / ₈	20 ⁷ / ₁₆
RS30-Type A	Dimension	25 ³ / ₈	3 ³ / ₈	20 ⁷ / ₁₆
RS33-Type A	Dimension	28 ³ / ₈	3 ³ / ₈	20 ⁷ / ₁₆
RS36-Type A	Dimension	31 ³ / ₈	3 ³ / ₈	20 ⁷ / ₁₆

- Glides are side mounted ball bearing with no soft close.

Sample Door - SD



Model	Description	Width	Height	Depth
SD	Dimension	11	15	¾



FRAMELESS BASE CABINET



51

Luna

Dulxeuro Full-Access Frameless



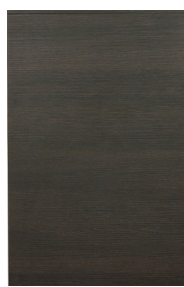
White Pine



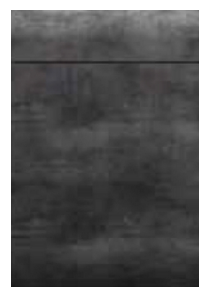
Luna Oak



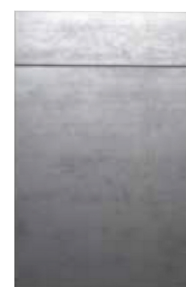
Grey Wood



Dark Wood



Rustic Gray



Concrete

$\frac{3}{4}$ " thickness MDF solid wood board, with PET laminate on the exterior, ABS banding of matching color on all edges



FRAMELESS BASE CABINET

Material Facts

Side panel, shelving and bottom panel

3/4" plywood board with creamy white color melamine laminate on Both side and PVC edge banding of matching color

Drawer panel

Drawer bottom and back panel apply 5/8 plywood board, with Creamy white color melamine laminate on both sides and PVC Banding of matching color

Back panel

Top and bottom rail of 3/4" plywood 1/4" MDF cased

Drawer hardware

Full-extension soft-close drawer glides of 500mm glide length

Hinge hardware

Adjustable 110 degree opening soft close hinges, easy to install

Adjustable leg

Adjustable leg height ranges from 4 1/2" to 5 1/2". Suitable for aluminum alloy toe-kick and matching door panel toe-kick

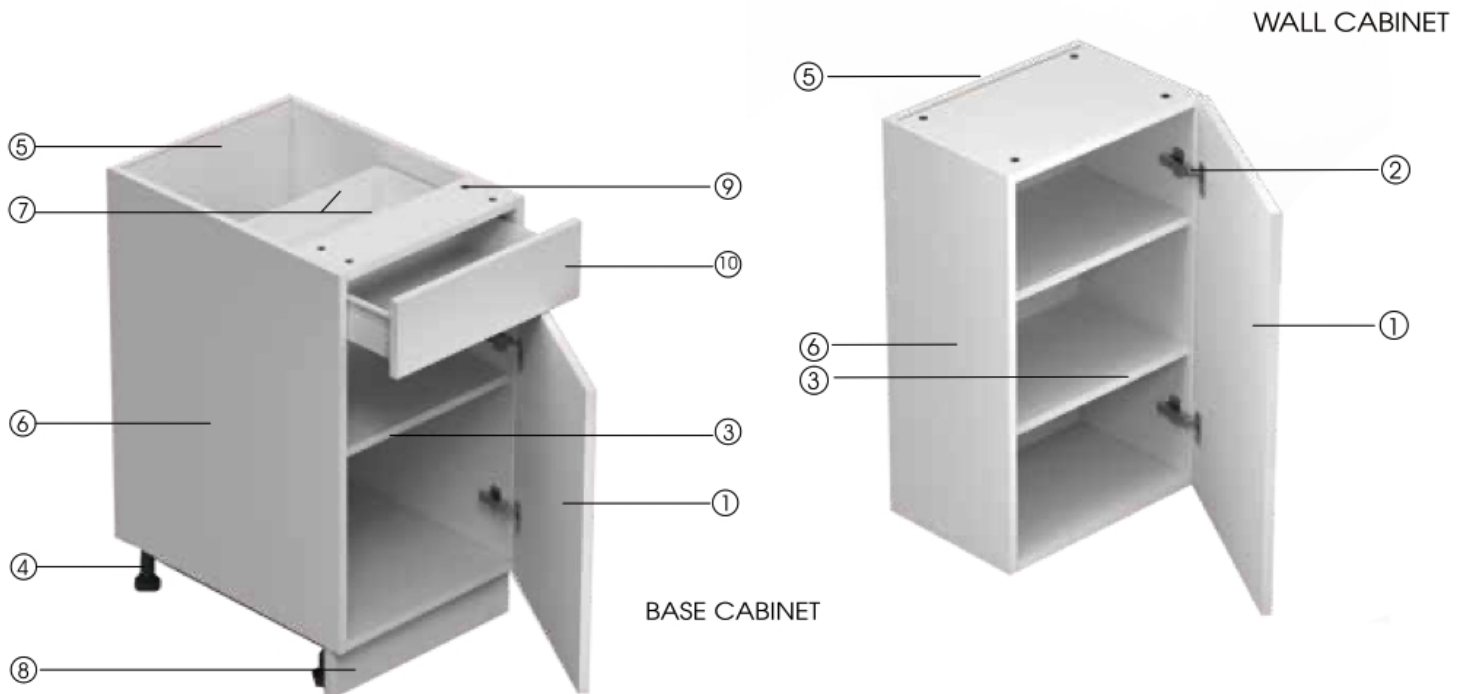
52



Cabinet Structure

- ① Door Panel (MDF or solid wood)
- ② Adjustable soft-close hinge
- ③ 3/4"(18mm) melamine laminated plywood shelf
- ④ Adjustable Legs
- ⑤ 6mm back panel with top and bottom enforced rail
- ⑥ 3/4"(18mm) plywood side panels
- ⑦ 5/8"(16mm) melamine laminated plywood bottom panel & back panel of the drawer
- ⑧ Toe-kick of aluminum or matching door material
- ⑨ Easy-to-Install cam-lock system with dowels for extra strength
- ⑩ Full-access soft-close adjustable drawer system

53





FRAMELESS BASE CABINET

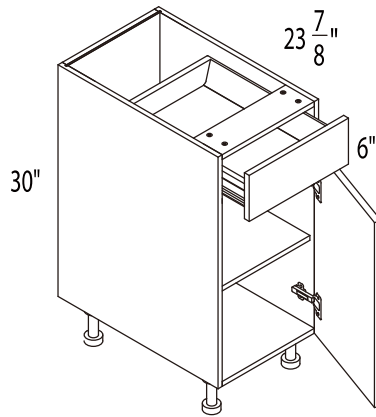


54



PRODUCT SPECIFICATIONS

Bases Cabinet

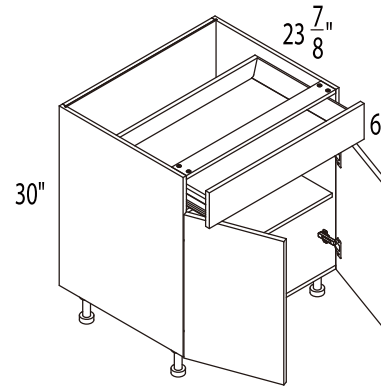


MODEL

B12
B15
B18
BTC18
B21
B24

- *One drawer one door style
- *6" height drawer and 24" height door
- *Drawer hardware price is included in BOX price
- *Price of trash can hardware is excluded

Bases Cabinet



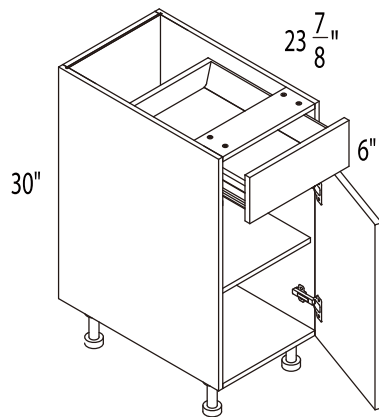
MODEL

B24DD
B27
B30
B33
B36
B39
B42

- *One drawer double doors style
- *6" height drawer and 24" height doors
- *Drawer hardware price is included in BOX price

55

2-Drawers Base Cabinet

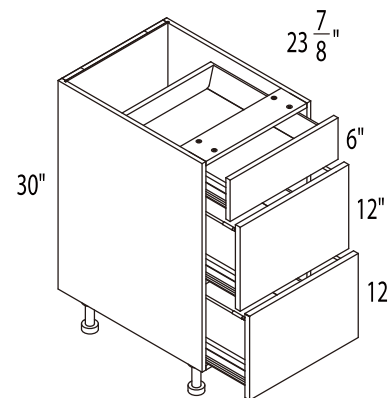


MODEL

DB12-2
DB15-2
DB18-2
DB24-2
DB27-2
DB30-2
DB33-2
DB36-2

- *Two equal height drawers style (15")
- *Drawer hardware price is included in BOX price
- *Drawer hardware is separately packed

3-Drawers Base Cabinet



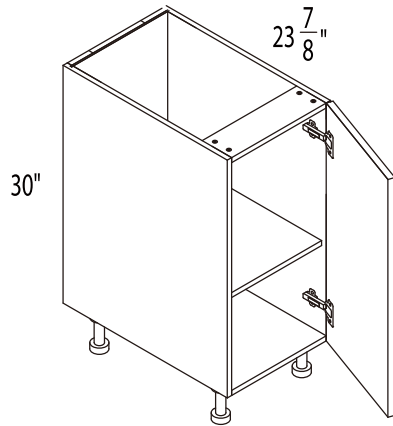
MODEL

DB12-3
DB15-3
DB18-3
DB21-3
DD24-3
DB27-3
DB30-3
DB33-3
DB36-3

- *6", 12" & 12" height drawers segmented from top
- *Drawer hardware price is included in BOX price
- *Drawer hardware is separately packed

PRODUCT SPECIFICATIONS

Bases Full Door Cabinet

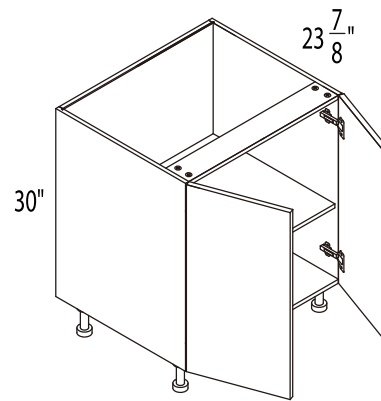


MODEL

B09FD
B12FD
B15FD
B18FD
B21FD
B24FD

*Full height one door style

Base Full Door Cabinet



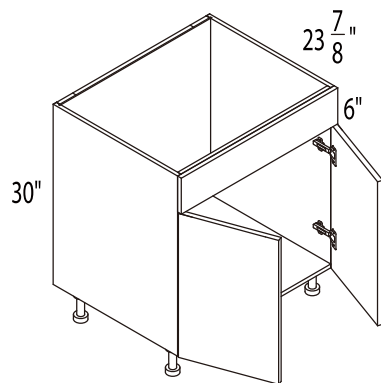
MODEL

B24FDD
B27FD
B30FD
B33FD
B36FD
B42FD

*Full height double doors style

56

Sink Bases Cabinet

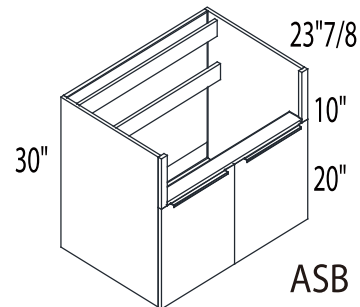


MODEL

SB30
SB33
SB36
SB39
SB42

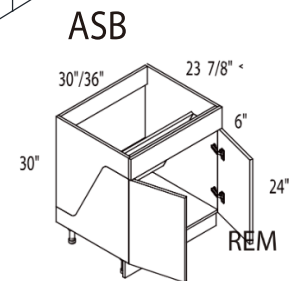
*6" height dummy drawer panel on top
*Double doors style

Special Sink Base Cabinet



MODEL

ASB33
ASB36
REM30
REM36



* ASB is for Apron Sink appliance
* REM cabinet has removable design and is ADA (Americans with Disabilities Act) compliant appliances



FRAMELESS BASE CABINET

PRODUCT SPECIFICATIONS

Base Microwave Cabinet

MODEL
BMC24
BMC27
BMC30
BMC33
BMC36

30"

*Appliance space height=16"
*12" height drawer on the bottom

Base Spice Rack Cabinet

MODEL
BSR06N
BSR09N

*Hardware is preassembled with box
*Price of hardware is included

57

Base Blind Corner Cabinet

MODEL
BBC36-42
BBC42-45N

30"

23 ⁷/₈"

15"
18"

*36" width cabinet applies 15" width door
*42" width cabinet applies 18" width door
*Cabinet box is L/R reversible

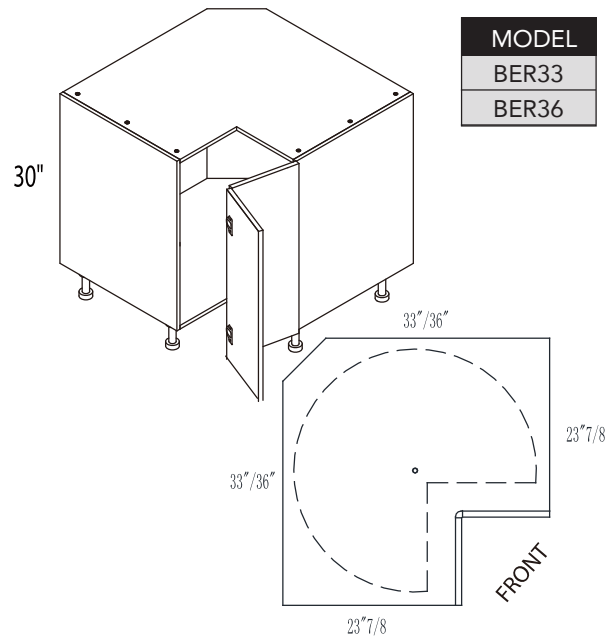
W

D

BBC36-42: W=36 D=15
BBC42-45: W=42 D=18

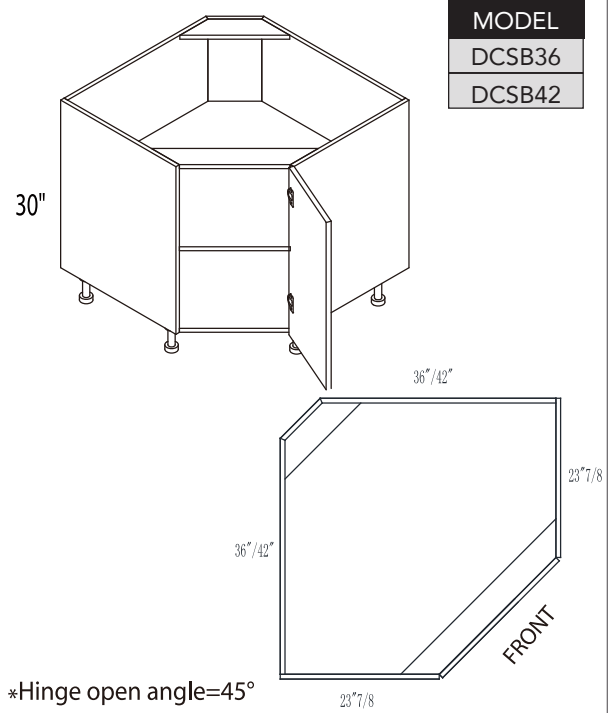
PRODUCT SPECIFICATIONS

Base Easy Reach/Lazy Susan Cabinet



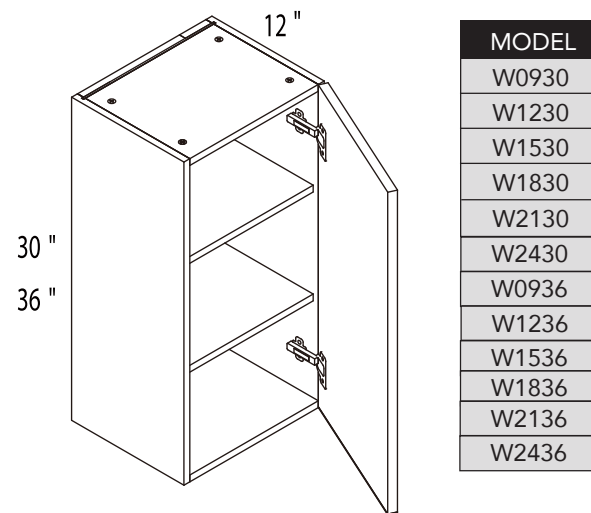
- *Price of Lazy Susan hardware is excluded
- *Hinge open angle is 155°(box-door)and 270°(door-door)
- *Not soft closing

Diagonal Sink Base Cabinet



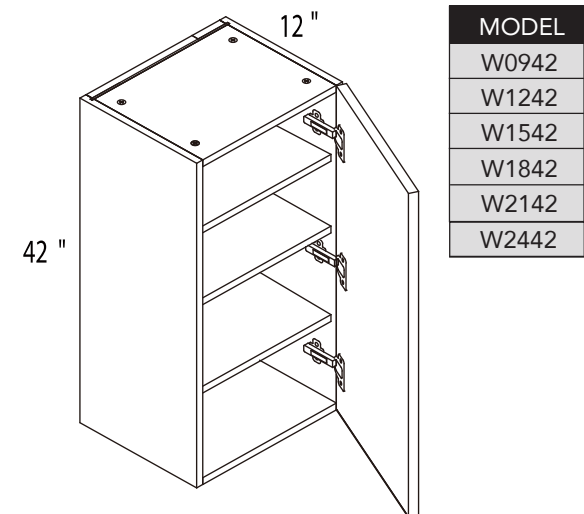
- *Hinge open angle=45°
- *Not soft-closing

Wall Cabinet-30"H & 36H



- *One door style
- *30" and 36" height cabinets have 2 adjustable shelves

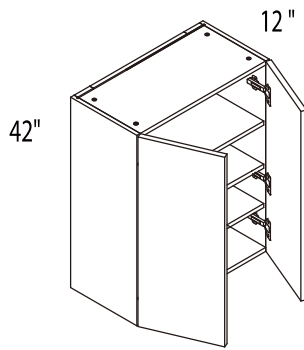
Wall Cabinet-42"H Single Door



- *One door style
- *30" and 36" height cabinets have 2 adjustable shelves

PRODUCT SPECIFICATIONS

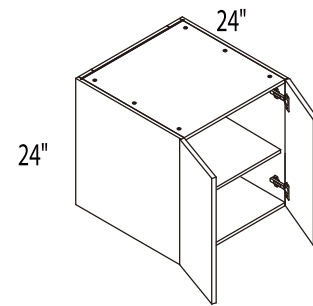
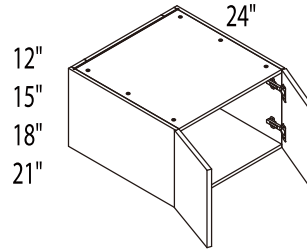
Wall Cabinet-42"H Double Door



MODEL
W2442FD
W2742
W3042
W3342
W3642

*Double doors style
 *42" height cabinets have 3 adjustable shelves

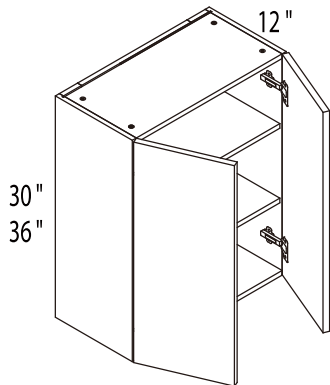
Wall Cabinet-24" Depth



	MODEL
w= 30"	W301224
	W301524
	W301824
	W302124
	W302424
w= 33"	W331224
	W331524
	W331824
	W332124
w= 36"	W332424
	W361224
	W361524
	W361824
	W362124
	W362424

*Double doors style
 *24" height cabinets have one shelf

Wall Cabinet-30"H & 36"H Double Door



MODEL
W2430DD
W2730
W3030
W3330
W3630
W2436DD
W2736
W3036
W3336
W3636

*Double doors style
 *30" and 36" height cabinets have 2 adjustable shelves

PRODUCT SPECIFICATIONS

Wall Blind Corner Cabinet

MODEL
WBC3030
WBC3036
WBC3042

WBC: W=30 D=15

*15" width doors and 6" width filler
 *Cabinet box is L/R reversible
 *30" & 36" height cabinets 2 shelves, 42" 3 shelves

Wall Cabinet-12"H,15"H,18"H,21"H&24"H

MODEL
W3012
W3015
W3018
W3021
W3024
W3312
W3315
W3318
W3321
W3324
W3612
W3615
W3618
W3621
W3624

*Double door style
 *24" height cabinets have 1 shelf
 *All other height cabinets have no shelf

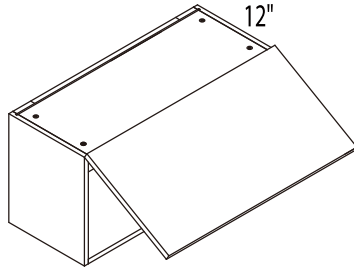
Wall Bi-Folding Cabinet

MODEL
WBF2430
WBF2730
WBF3030
WBF3330
WBF3630

*Double doors style
 *30" and 36" height cabinets have 2 adjustable shelves

PRODUCT SPECIFICATIONS

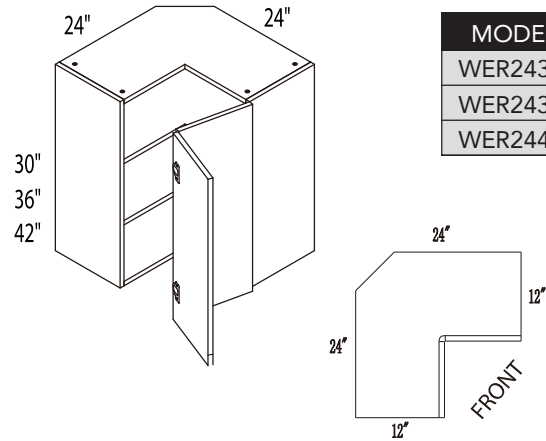
Wall Single Lift Cabinet



- *One door, lift up style
- *15" & 18" height cabinets recommend BLUM STAY LIFT
- *18" & 21" height cabinets recommend BLUM MIDDLE STAY LIFT
- *Price of lift-up hardware is excluded
- *Refer to P40 for hardware info

MODEL
WSL2412
WSL2712
WSL3012
WSL3312
WSL3612
WSL2415
WSL2715
WSL3015
WSL3315
WSL3615
WSL2418
WSL2718
WSL3018
WSL3318
WSL3618
WSL2421
WSL2721
WSL3021
WSL3321
WSL3621

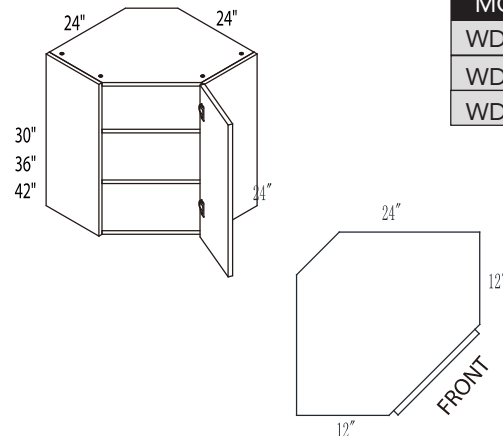
Wall Easy Reach Cabinet



MODEL
WER2430
WER2436
WER2442

- *Two attached doors
- *30" & 36" height cabinets have 2 shelves, 42" 3 shelves
- *Hinge open angle is 155°(box-door)and 270°(door-door)
- *Not soft closing

Wall Diagonal Cabinet



MODEL
WDC2430
WDC2436
WDC2442

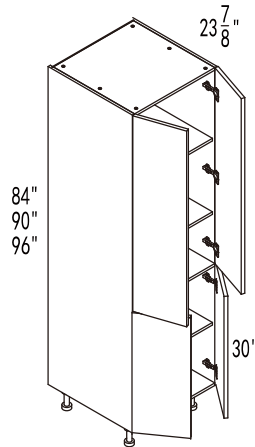
- *30" & 36" height cabinets have 2 shelves, 42" 3 shelves
- *Hinge open angle=45°
- *Not soft-closing



FRAMELESS BASE CABINET

PRODUCT SPECIFICATIONS

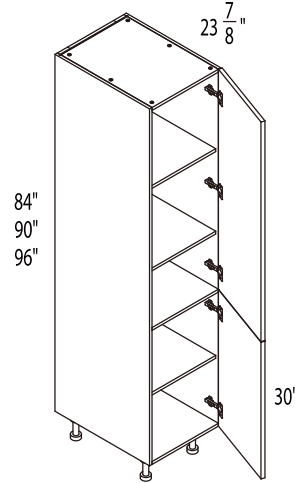
Pantry Cabinet Quadruple Doors



MODEL
PC2484DD
PC2490DD
PC2496DD
PC3084
PC3090
PC3096
PC3684
PC3690
PC3696

- *Height of pantry include feet's height
- *Quadruple doors style, lower doors are 30" height
- *Doors of horizontal grain have joints(DW,PP)

Pantry Cabinet Double Doors

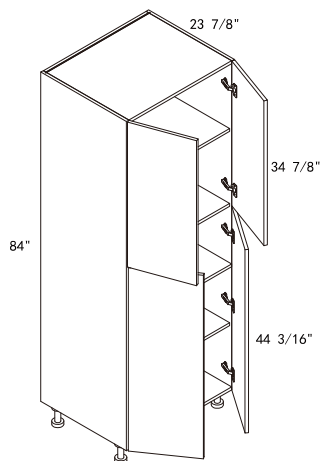


MODEL
PC1584
PC1590
PC1596
PC1884
PC1890
PC1896
PC2484
PC2490
PC2496

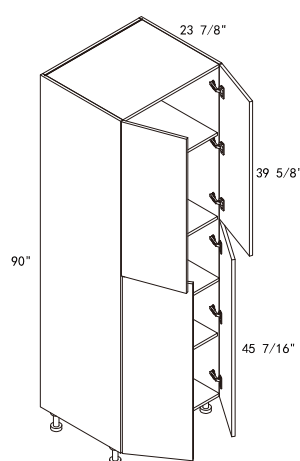
- *Height of pantry include feet's height
- *Double doors style, lower doors are 30" height
- *Doors of horizontal grain have joints(DW,PP)

62

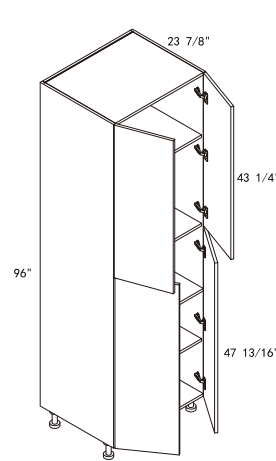
Pantry Cabinet Door



H=84"



H=90"



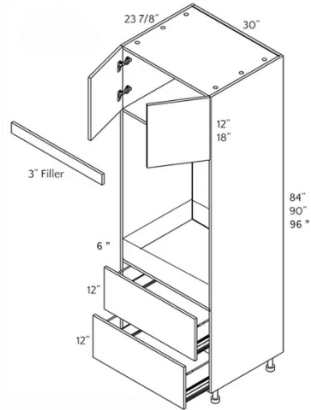
H=96"

MODEL
PC1584-N
PC1884-N
PC2484-N
PC2484DD-N
PC3084-N
PC1590-N
PC1890-N
PC2490-N
PC2490DD-N
PC3090-N
PC1596-N
PC1896-N
PC2496-N
PC2496DD-N
PC3096-N

- * Available for PP & DW style
- * Avoid joint doors
- * Extra hinges included

PRODUCT SPECIFICATIONS

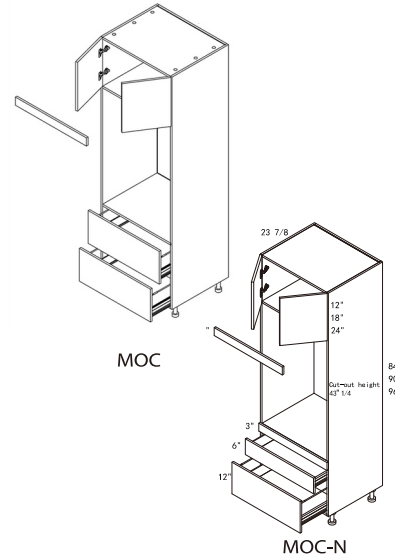
Oven Tall Cabinet



MODEL
OC3084
OC3090
OC3096

- *Height of cabinet include feet's height
- *Appliance cut-out size is 29 1/2" - 33"
- *Triple drawers of 6", 12" & 12" height

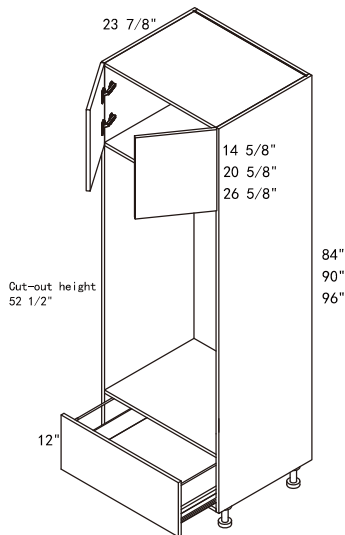
Micro-Oven Tall Cabinet



MODEL
MOC3084
MOC3090
MOC3096
MOC3084N
MOC3090N
MOC3096N

- *Height of cabinet include feet's height
- *Appliance cut-out height is 40 1/2" - 43" for MOC
- *Two equal 12" height drawers for MOC
- *Appliance cut-out height is 43" 1/4 - 46" 1/4
- *One N drawer and one H drawer combo

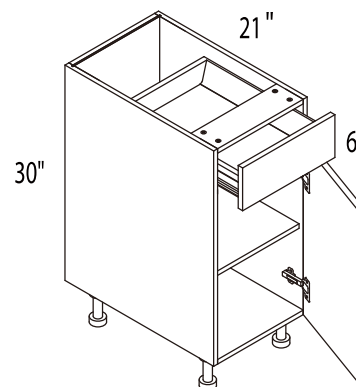
Double Oven Tall Cabinet



MODEL
DOC3084
DOC3090
DOC3096

- *Height of cabinet include feet's height
- *Appliance cut-out height is 52 1/4"
- *Single 12" height drawer

Vanity Base Cabinet One Door

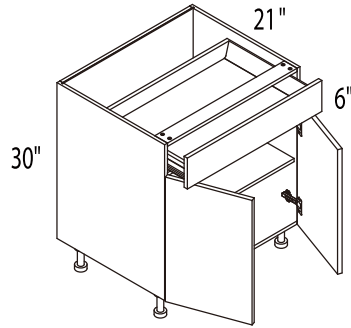


MODEL
VB15
VB18
VB21
VB24

- *One drawer one door style
- *6" height drawer and 24" height door
- *Drawer hardware price is included in BOX price
- *Alternative by corresponding kitchen cabinet doors

PRODUCT SPECIFICATIONS

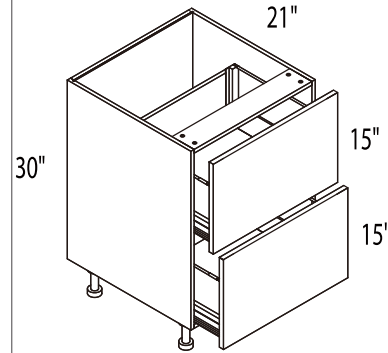
Vanity Base Cabinet Two Doors



MODEL
VB24DD
VB27
VB30
VB33
VB36

- *One drawer double doors style
- *6" height drawer and 24" height doors
- *Drawer hardware price is included in BOX price
- *Alternative by corresponding kitchen cabinet doors

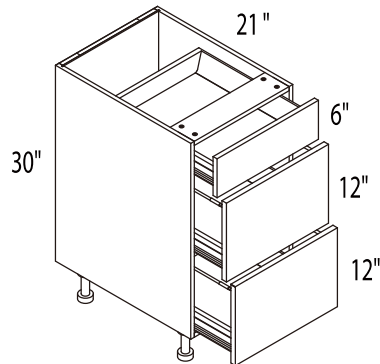
Vanity 2-Drawers Base Cabinet



MODEL
VDB12-2
VDB15-2
VDB18-2
VDB21-2
VDB24-2

- *Two equal height drawers style (15")
- *Drawer hardware price is included in BOX price
- *Drawer hardware is separately packed
- *Alternative by corresponding kitchen cabinet doors

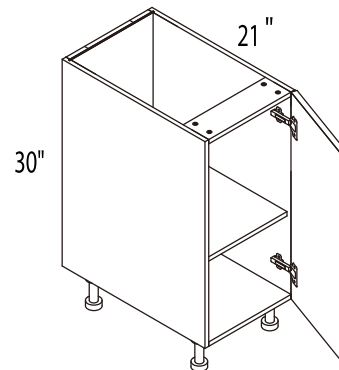
Vanity 3-Drawers Base Cabinet



MODEL
VDB12-3
VDB15-3
VDB18-3
VDB21-3
VDB24-3

- *6", 12" & 12" height drawers segmented from top
- *Drawer hardware price is included in BOX price
- *Drawer hardware is separately packed
- *Alternative by corresponding kitchen cabinet doors

Vanity Base Full Door Cabinet

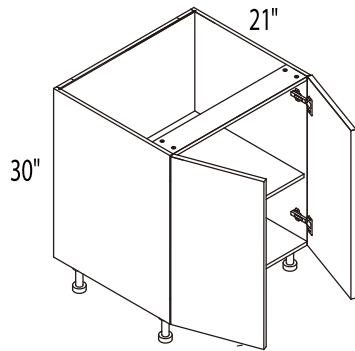


MODEL
VB15FD
VB18FD
VB21FD
VB24FD

- *Full height one door style
- *Alternative by corresponding kitchen cabinet doors

PRODUCT SPECIFICATIONS

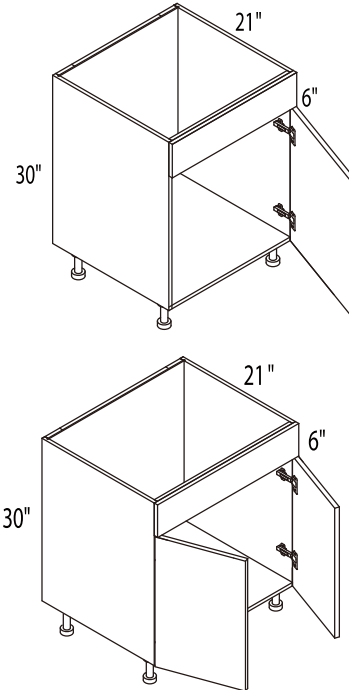
Vanity Full Door Sink Base Cabinet



MODEL
VB24FDD
VB27FD
VB30FD
VB33FD
VB36FD

- *Full height double doors style
- *Alternative by corresponding kitchen cabinet doors

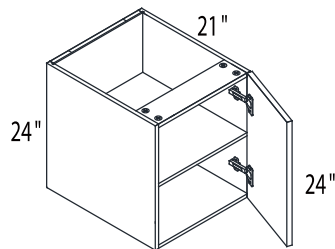
Vanity Sink Base Cabinet



MODEL
VS24
VS24DD
VS27
VS30
VS33
VS36

- *6" height dummy drawer panel on top
- *Double doors style (except VS24 single door)
- *Alternative by corresponding kitchen cabinet doors

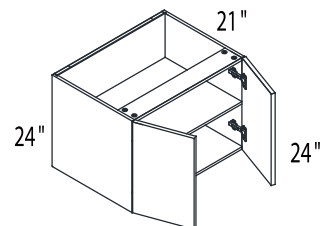
Floating Vanity Base Cabinet



MODEL
FVB12
FVB15
FVB18
FVB21
FVB24

- *Floating style
- *One full height door

Floating Vanity Base Cabinet

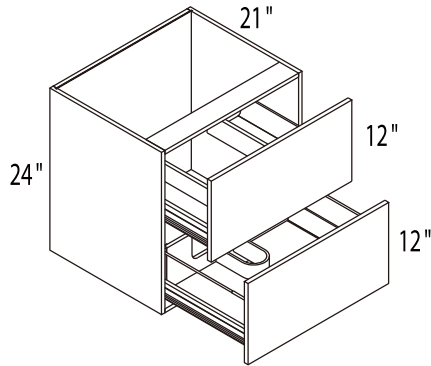


MODEL
FVB24DD
FVB27
FVB30
FVB33
FVB36

- *Floating style
- *Two full height doors

PRODUCT SPECIFICATIONS

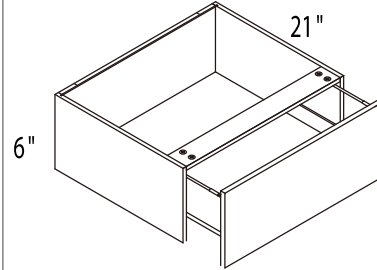
Floating Vanity Drawer Base Cabinet



MODEL
FVD12
FVD15
FVD18
FVD21
FVD24
FVD27
FVD30
FVD33
FVD36

- *Floating style
- *Two equal height (12") drawer fronts
- *Upper drawers apply normal height drawer hardware
- *FVD24 and wider box have sink cutout
- *Drawer hardware price is included in BOX price
- *Drawer hardware is separately packed

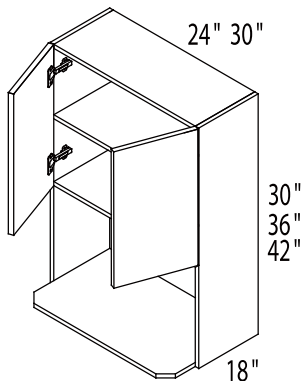
Vanity Knee Drawer



MODEL
VS24
VS24DD
VS27
VS30
VS33
VS36

- *Single drawer style of 6" height
- *Drawer hardware price is included in BOX price
- *Drawer hardware is separately packed

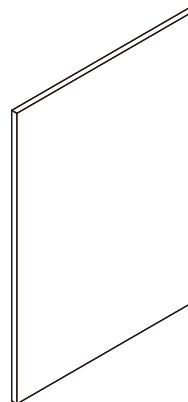
Wall Microwave Cabinet



MODEL
WM2430DD
WM2436DD
WM2442DD
WM3030
WM3036
WM3042

- *Matching finish of all box

Match End Panel

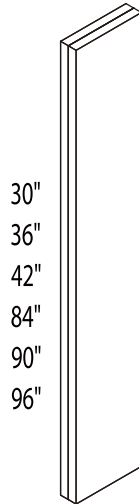


MODEL	ACTUAL SIZE
MBEP21	21 3/4" * 34 3/4"
MBEP24	24 5/8" * 34 3/4"
MBEP26	25 3/8" * 34 3/4"
MBEP36	37 1/2" * 34 3/4"
MBEP48	49 1/4" * 34 3/4"
MBEP2124	21 3/4" * 24"
MWEP1230	12 3/4" * 30"
MWEP1236	12 3/4" * 36"
MWEP1242	12 3/4" * 42"
TEP8424 3/4"	24 5/8" * 84"
TEP9024 3/4"	24 5/8" * 90"
REF9624 3/4"	24 5/8" * 95 3/4"
TEP9634 3/4"	34 3/4" * 95 3/4"
REF9635 1/2"	35 1/2" * 95 3/4"
REF9636	36" * 95 3/4"

- *Same material as door panel, 3/4" or 5/8" thickness
- *Actual size may differ than item code indicates

PRODUCT SPECIFICATIONS

Filler

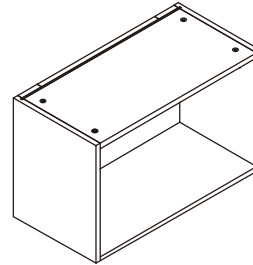


MODEL

WF330
WF336
WF342
TF384
TF390
TF396
WF630
WF636
WF642
TF684
TF690
TF696

- *Same material as door panel, 3/4" or 5/8" thickness
- *One extra panel is provided per filler

Wall Open Cabinet

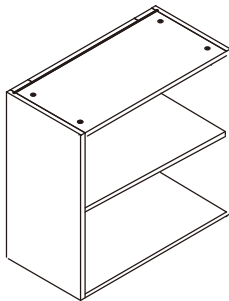


MODEL

WOC3015
WOC3615

- *Door Panel material
- *Finish faces toward interior

Wall Open Cabinet

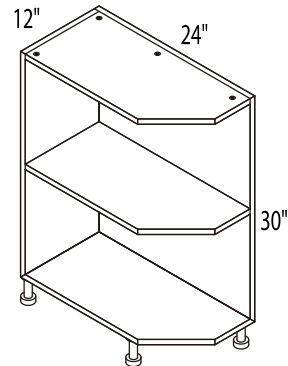


MODEL

WOC3030
WOC3630

- *Door Panel material
- *Finish faces toward interior

Base End Shelf Cabinet



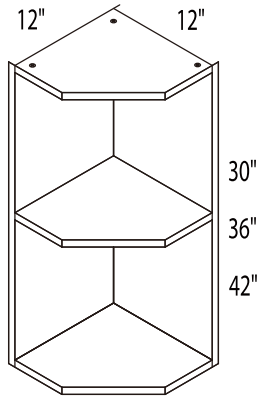
MODEL

BES12L
BES12R

- *Door panel material
- *Not Reversible

PRODUCT SPECIFICATIONS

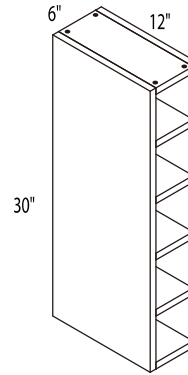
Wall End Shelf Cabinet



MODEL
WES1230
WES1236
WES1242

*Door panel material
*Left & Right Reversible

Wine Rack Cabinet

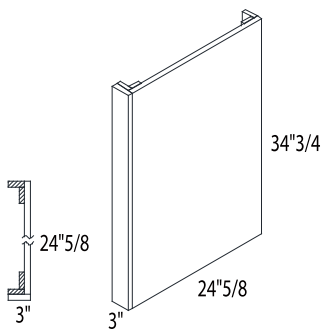


MODEL
WRC630

*Door panel material

68

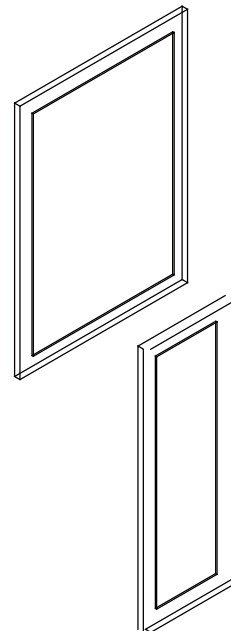
Dishwasher End Panel



MODEL
WDR3

*Door panel material
*Left & Right Reversible

SBEP / SWEP

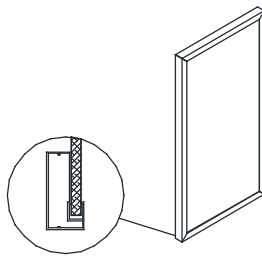


MODEL	ACTUAL SIZE
SBEP21	21 3/4" * 34 3/4"
SBEP24	24 5/8" * 34 3/4"
SBEP26	25 3/8" * 34 3/4"
SBEP36	37 1/2" * 34 3/4"
SBEP2130	21 3/4" * 30"
SBEP2430	24 5/8" * 30"
SBEP2630	25 3/8" * 30"
SBEP3630	37 1/2" * 30"
SBEP2124	21 3/4" * 21"
SWEP1230	12 3/4" * 30"
SWEP1236	12 3/4" * 36"
SWEP1242	12 3/4" * 42"

*Shaker style end panel

PRODUCT SPECIFICATIONS

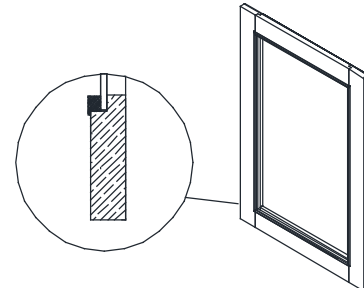
Aluminum Frame Glass Door (E.G: GL-WMD 1530 = Glass Door Of 15" width, 30 height)



- *Aluminum frame 2"
- *Frosted glass
- *Standard hinge cup pre-drilled

H	Single Door				Double Doors		For WDC	
	W	12"	15"	18"	21"	27"	33"	WDC24
30"								
36"								
42"								

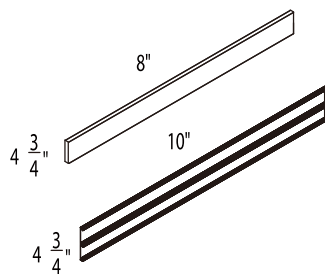
Inquiring cost about W*H variations



- *Shaker style wood frame 3"
- *Clear glass
- *Standard hinge cup pre-drilled

69

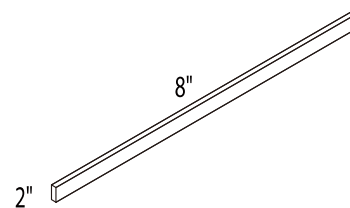
Toe Kick



MODEL
TK8

- *TK8 is as door front material
- *TK10 is as metal material
- *TK10 set Code: WJ220083

Light Rail

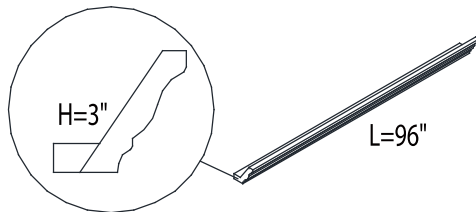


MODEL
LR8

PRODUCT SPECIFICATIONS

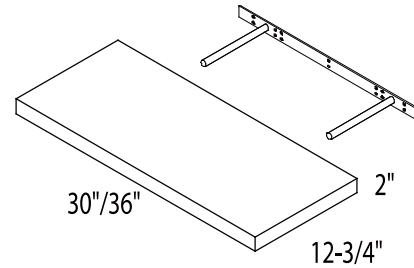
Crown Molding

MODEL
CM8



*Only available for WSK/GSK /BSK style
 * WSK-CM8 WJ227477
 GSK-CM8 WJ229238
 BSK-CM8 WJ284195

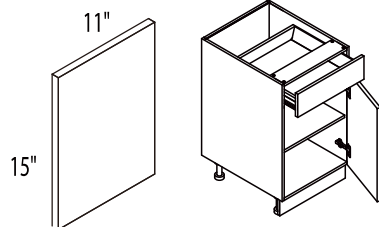
Floating Shelf



MODEL	CODE
DW-FS30	WJ131148
DW-FS36	WJ131147
WT-FS30	WJ131150
WT-FS36	WJ131153
GW-FS30	WJ131152
GW-FS36	WJ131149
WSK-FS30	WJ131146
WSK-FS36	WJ131151

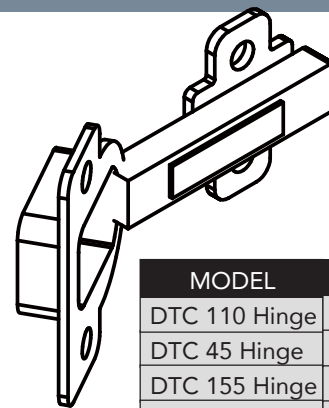
70

Sample Door



MODEL
Sample Door
Sample Door 6*6
G-RTA Sample Box

*6"*6" Sample door for Shaker style is a slab
 *Sample Box door is Glossy White style



MODEL	CODE
DTC 110 Hinge	WJ081104
DTC 45 Hinge	WJ081127
DTC 155 Hinge	WJ081126
DTC 270 Hinge	WJ081125

*DTC 110 HINGE is for regular standard open doors
 *DTC 45 HINGE is for WDC/DCSB cabinet
 *DTC 155 HINGE and DTC 270 HINGE are for WER/BER cabinets DTC 155 HINGE connects door to the box, while the DTC 270 HINGE connects two door

PRODUCT SPECIFICATIONS

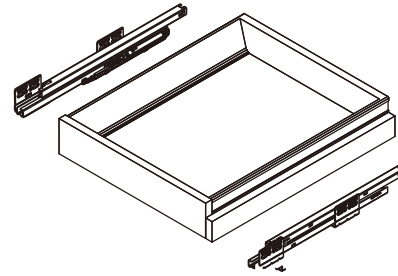
Handle



MODEL	CODE
F07#5" Brushed	WJ105163
F07# 10" Brushed	WJ105164
F07# 5" Polished	WJ105161
F07#10" Polished	WJ105162

*Handles include screw

Roll Out Tray

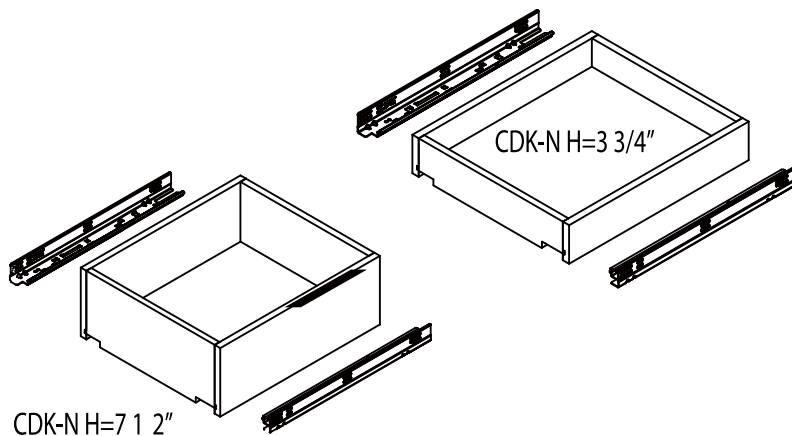


MODEL	CODE
ROT15	WJ220902
ROT18	WJ220903
ROT21	WJ220904
ROT24	WJ220905
ROT27	WJ220906
ROT30	WJ220912
ROT33	WJ220913
ROT36	WJ220919

*Pre-assembled drawer box

*Item number indicates applicable cabinet width

Drawer Kit



CDK-N H=7 1 2"

MODEL	CODE
CDK12N	WJ227567
CDK12H	WJ227568
CDK15N	WJ227569
CDK15H	WJ227570
CDK18N	WJ227571
CDK18H	WJ227572
CDK21N	WJ227573
CDK21H	WJ227574
CDK24N	WJ227575
CDK24H	WJ227576
CDK30N	WJ227577
CDK30H	WJ227578
CDK36N	WJ227579
CDK36H	WJ227580

*Wood(panel) drawer box with bottom mount drawer hardware

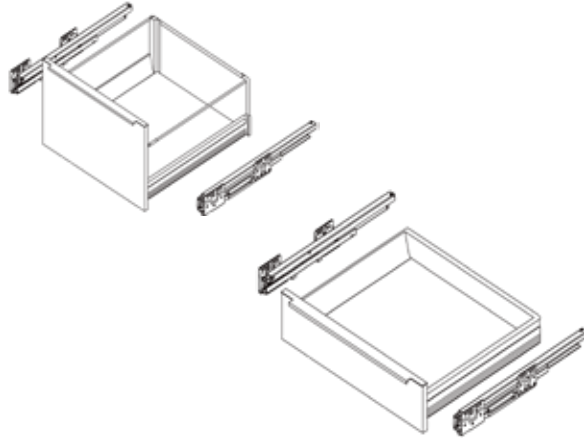
*Replaceable for standard drawer sets

*Item number indicates applicable cabinet width

*Without door panel

PRODUCT SPECIFICATIONS

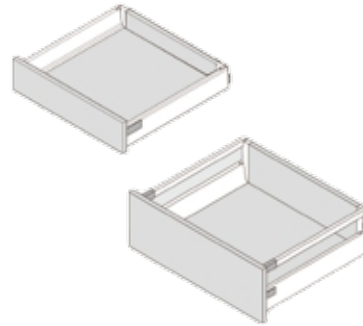
DTC Drawer



MODEL	CODE
DTC N Drawer	WJ025487
DTC H Drawer	WJ025312
Metal drawer side for DTC H drawer	WJC20013
Glass side panel for DTCH drawer	WJC20024

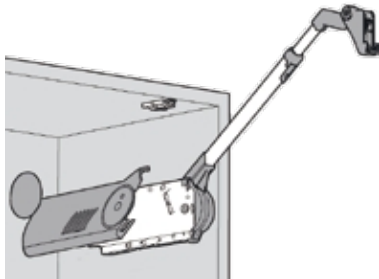
* Standard cabinet MSRP include in the drawer price (if there is any)

Blum Draw



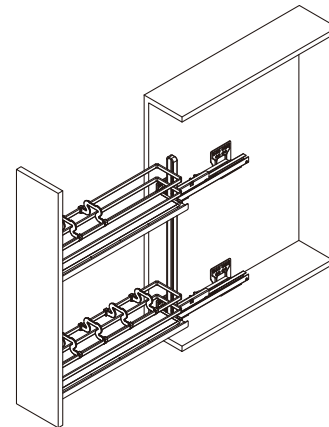
MODEL	CODE
Blum M Drawer	WJ025339
Blum D Drawer	WJ025340
Blum Tip-on drawer M height	WJC10105
Blum Tip-on drawer D height	WJC10104
Blum Tip-on drawer Synchronization linkage	WJC10045

Blum Fold Lift



MODEL	CODE
Blum Fold Lift	WJ031093

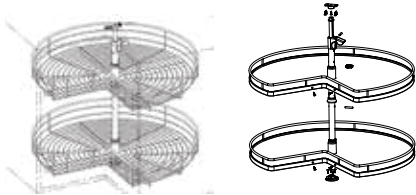
BSR06N/BSR09N Pull-out



MODEL	CODE
BSR06N-Pull Out	WJ012034
BSR09N-Pull Out	WJ012035

PRODUCT SPECIFICATIONS

Lazy Susan Tray

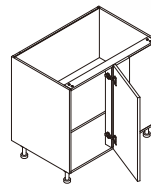


ARE A

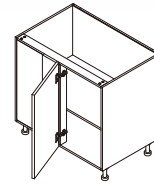
MODEL	CODE
BLS33-Arena Tray	WJ011396
BLS36-Arena Tray	WJ011397
BLS33-Tray	WJ011402
BLS36-Tray	WJ011403

*Applied with BER & BLS cabinets

BBC Swing Out Tray



* Use BBC SWING OUT TRAY LEFT OUT



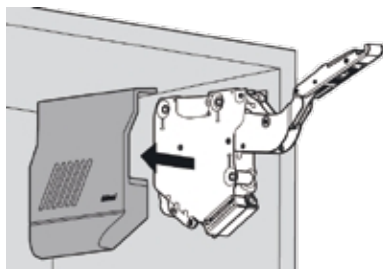
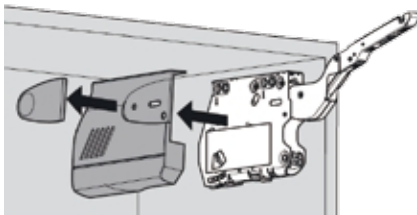
* Use BBC SWING OUT TRAY RIGHT OUT

MODEL	CODE
BBC Swing Out Tray Left Out	WJ220902
BBC Swing Out Tray Right Out	WJ220903

* For BBC42-45 only

73

Blum Lift Hinges



MODEL	CODE
Blum Stay Lift	WJ031092
Blum Middle Stay Lift	WJ031133

		Apply to HampshireCraft Cabinets					
		W	24"	27"	30"	33"	36"
H	12"	Regular	Regular	Regular	Regular	Regular	Regular
	15"	Regular	Regular	Regular	Regular	Regular	Regular
	18"	Middle	Middle	Middle	Middle	Middle	Middle
	21"	Middle	Middle	Middle	Middle	Middle	Middle

*Please refer to the following sheet for hardware application

PRODUCT SPECIFICATIONS

Pantry Pull-out



MODEL	CODE
PC18XX Pullout Tray Basket & Frame	WJ012013
PC24XX Pullout Tray Basket & Frame	WJ012010

- *Applied with PC cabinets of 18" & 24" width
- *Connected doors and clear cabinet interior are required for installing
- *One piece of these hardware include 2 packages

Trash Can



MODEL	CODE
BTC 18 Trash Can	WJ071020
Twin Waste Bin	WJ224934

- *Applied with 18" width base cabinets

Touch Up Kit



MODEL	CODE
White Color Touch Up Kit	HG90023
Ash Color Touch Up Kit	HG90026
Gary Color Touch Up Kit	HG90036



STYLISH WARDROBE



75





STYLISH WARDROBE

76





TERMS AND CONDITIONS

Merchant Protocols

- As an authorized dealer of Hampshire Craft Cabinetry, it is incumbent upon you to effectively convey our policies, product details, order procedures, claims information, and other relevant details to your customers. Your role is pivotal in ensuring clear communication and a seamless experience for those you serve.
- Hampshire Craft will refrain from directly disclosing information to your customers, and we absolve ourselves of any responsibility for inaccuracies that may arise from information provided by you or your associates.
- Prior approval is mandatory for any online resale of our products before they are made available for sale.
 - Upon approval by Hampshire Craft Cabinetry for online resale, sales are restricted exclusively to the specified website communicated at the time of approval. Any desire to extend resale to additional websites requires separate approval from us.
- Before publicizing your selling price, all dealers are required to comply with the Minimum Advertised Price (M.A.P) as validated by your Hampshire Craft Cabinetry representative.
- Hampshire Craft Cabinetry retains the authority to oversee and adjust dealer accounts in alignment with company standards, encompassing factors such as active status and eligible discounts.

Order & Payment Coordination

- 77
- Orders placed by approved Hampshire Craft dealers must be submitted online **EXCLUSIVELY**.
 - For substantial quantities of a single item or larger orders, a review process may be initiated, requiring approval before proceeding.
 - Full payment is a prerequisite for order processing, covering backorders and approved add-ons.
 - Credit or debit cards are accepted as payment methods.
 - It's essential to note that we cannot assume liability for payment methods not owned or managed by the dealer.
 - Any orders or modifications not feasible through the website must be submitted in writing to info@hampshirecraft.com, excluding them from standard lead times.
 - Once an order is in progress, changes are not permissible. Additional items can be processed as a new order through the online system.

Lead Time

- Standard shipping is offered for all flat-pack orders, ensuring shipment within 3 full business days.
- Processed and shipped within 15 full business days, assembled orders ensure timely delivery.

Self-Pickup Order Processing Time

- Warehouse pickup orders for flatpack items are processed and ready for pickup within 3 full business days.
- Assembled warehouse pickup orders are processed and ready for pickup within 15 full business days



TERMS AND CONDITIONS

- **EXPEDITED SERVICE ORDERS** provide accelerated processing for flat pack orders with an additional fee. Please note that all rush service orders undergo a thorough review of the total item quantity. **It's crucial to clarify that the "Expedited Fee" exclusively applies to the processing time within the warehouse and does not affect the transit time to your destination.**
 - Flat pack orders placed by 12:00 PM (local warehouse time) are eligible for same-day warehouse pickup, with a minimum processing time of 3 hours required.
 - Flat-pack orders placed by 12:00 PM (local warehouse time) qualify for same-day shipping. Orders submitted after 12:00 PM will be processed on the next business day.
 - Expedited Service is not an option for assembly orders and discontinued product lines. The additional fee for combined orders may be eligible for a refund.
 - Selection of Expedited Service is required during the checkout process.
- "Day One" initiates on the following full business day after the order placement.
- Cancellations made after the order is picked will incur a 10% processing fee.
- Cancellations occurring after an order has been loaded onto a carrier's truck or picked up are subject to a 20% restocking/processing fee.

78 Backorders

- Hampshire Craft Cabinetry retains the authority to activate or deactivate backorders for specific styles, colors, or SKUs at the discretion of the company.
- Shipping fees for backorders are determined by the estimated size of the order and may be adjusted according to market rates and services.
- The backorder shipping fee applies to a single shipment, and the release of the backorder will only occur once all items in it are replenished in the fulfillment warehouse.

Assembly & Modifications

- Assembly and specific modifications can be arranged for warehouse pickup and freight-shipped orders (from select warehouses), incurring additional labor and shipping fees calculated on the website.
- A restricted set of modifications is exclusively available for FRAMED ASSEMBLED ITEMS, comprising:
 - Increased Depth
 - Decreased Depth
 - Prep for Glass: Route Door(s) & Finish Interior
 - Double Oven Conversion
- Modifications exempt the entire order from standard lead times and may require an additional 5 business days for completion.



Shipping & Delivery

- Each LTL freight order undergoes individual box packaging, pallet placement, shrink-wrapping, and strapping for secure shipment.
- LTL freight shipping charges are computed online during the checkout process.
- Hampshire Craft Cabinetry retains the right to fulfill orders through multiple shipments from various distribution facilities, without prior customer notification and without incurring additional costs.
 - Requests for changes to the selected shipping method after checkout may result in additional charges for the customer.

LTL Shipping

- The standard transit time with LTL carriers is 2-7 business days. Please allow for an additional day for residential deliveries and those requiring a scheduled delivery appointment.
- Shipping charges must be paid at the time of online order placement. Orders surpassing standard LTL sizes are subject to additional fees for Full Truckload shipping.
 - **In certain instances, an initial placeholder amount for shipping costs may appear, and this figure could seem unusual. Please note that this is subject to revision after your order undergoes a shipping review. If you observe an unexpectedly high number during the ordering process, it is likely a placeholder amount that will be adjusted accordingly during the shipping review.**
- You will receive an email with the tracking number on the day following the shipment of your order.
- All delivery locations must be accessible by tractor/trailer; otherwise, Limited Access fees of \$100 will be applied.
- For residential deliveries and those requiring an appointment, the freight company will reach out 24 hours in advance to arrange the delivery, typically within a 3-4 hour window.
- Shipping charges include ONE delivery attempt. The customer is liable for any extra shipping and handling fees incurred due to delivery failure caused by customer-related circumstances.

LTL Delivery Policies

- The driver is solely responsible for lowering the pallet to the ground for deliveries where lift gate services were chosen during the checkout process.
- Address classifications are determined by city zoning, which means that a commercial property may exist in a residential area. In such cases, the delivery is treated as residential and is subject to the corresponding fees and conditions.
- A responsible party is required to be present for the inspection, inventory check, and signing off on the delivery.
 - It is crucial to make a notation if the number of delivered pallets does not align with the quantity listed on the driver's delivery receipt copy.



TERMS AND CONDITIONS

- A meticulous examination of packaging conditions is essential for filing freight claims. Any visible damages must be clearly noted on the paperwork when signing for the delivery and documented with photos. Even if uncertainty exists about whether the contents inside are damaged due to the exterior's condition, it is necessary to indicate on the delivery receipt for potential claims of concealed damages in the future.

- Do not reject damaged items. Accept the delivery, document the damages, and proceed to file a claim online. Refer to the important notes in the Missing and Damaged Items section for further guidance.
- Regional delivery services are accessible in specific markets, and both rates and delivery services are subject to variation based on the market.

Warehouse Pick Up Orders

- Orders must be retrieved within 10 business days upon receiving the email notification confirming readiness for pick-up.
- After the expiration of ten business days, storage fees will be assessed as outlined below:
 - **\$30 per day** for each open order
 - Accumulated fees will reach a maximum of **\$500 within two weeks**.
 - If five weeks elapse after the "ready for pickup" notification without retrieval, the order will be returned to inventory, and a refund will be issued, **deducting the maximum \$500 storage fee and applying a 10% restocking fee**.
- Upon payment of any accrued storage fees in full, your order(s) will be released for pickup.
- Orders designated for warehouse pick-up are not palletized, wrapped, or strapped for shipping purposes.
 - If you opt for a delivery service that demands secure palletizing of products, additional packaging and labor fees will apply. Approval from Hampshire Craft Cabinetry is required before scheduling the pick-up.
- For liability reasons, Hampshire Craft Cabinetry will not assist in loading warehouse pick-up orders unless approval is granted by the pick-up party.
- Orders must be picked up in a safe and compatible condition, taking into consideration the product and environmental conditions. Hampshire Craft Cabinetry cannot be held liable for damage that occurs due to improper weather or equipment conditions.
- Hampshire Craft Cabinetry will not entertain transit damage claims for warehouse pick-up orders that are picked up and/or shipped with delivery services contracted out at the dealer's discretion.



Missing or Damaged Items (Including Concealed Damage)

- Hampshire Craft Cabinetry reserves the right to make the final determination regarding resolutions for any manufacturer warranty claims submitted. It is advisable to engage in discussions with Hampshire Craft Cabinetry before making commitments to the end customer.
- Blemishes or damages that do not affect the structural integrity of a cabinet will not justify a complete cabinet replacement. Hampshire Craft Cabinetry retains the right to offer alternative products or components as viable solutions.
- Freight claims for evident damage or shortages can only be accepted if clearly indicated on the delivery receipt.
- Claims for freight damage must be filed within 5 business days. No claims will be accepted without the appropriate documentation noting the damage at the time of delivery.
- To file a claim for damage or a shortage, please log into our website and utilize our damage claim module.
- To facilitate the claim process, please provide the following information:
 - Order number
 - Customer's name or identifier
 - Shipping address
 - Concise description of damage or shortage, including item numbers and/or parts if apply
 - Pictures of the damaged packaging and product are included, as they are essential for eligibility for a full replacement.
- Upon receiving the damage claim, we will thoroughly assess the request within 48 business hours. Subsequently, replacements will be dispatched within 24-48 hours.
- Expedited shipping service is available for replacements and/or parts, **EXCEPT** for items with a weight exceeding **150 lbs.**
- All damages must be documented and reported immediately upon unpacking the boxes.
- Missing items must be reported within **two weeks** of delivery.
- Concealed damages must be reported within **one month** of delivery.
- Items that have been assembled and installed are not eligible for damage claims.
- **Hampshire Craft Cabinetry is not liable for any labor costs associated with the installation of its products, whether purchased through its various distribution channels. This encompasses instances of flaws or damage that may have occurred during transit.**



TERMS AND CONDITIONS

Return Merchandise Authorizations (RMA)

- All returns require prior authorization from Hampshire Craft Cabinetry and should be requested by sending an email to info@hampshirecraft.com.
- Returned items must reach Hampshire Craft Cabinetry within 30 days of the purchase date.
- All items must be returned in original, unopened packaging; therefore, **NO RETURNS ON ASSEMBLED CABINETS.**
- No returns on trims, mouldings, fillers, panels, or sales tools.
- No returns on discontinued cabinet styles.
- Authorized returns are subject to a **20% restocking fee**
- Customers are responsible for arranging and covering the costs of return shipments.
- **Returned products deemed unsellable will not be eligible for credit.**

Marketing Policies

- Hampshire Craft Cabinetry is not responsible for covering associated marketing expenses.
- Private labeling decisions are made at the discretion of the dealer.
- To obtain permission to utilize images and sales materials in your private label marketing, please contact us at info@hampshirecraft.com.

82

Display Incentive Program

Hampshire Craft Cabinetry is excited to introduce the Showroom Display Incentive Program, designed to support our valued dealers in showcasing our products. Participants can enjoy a 50% credit on ordered and installed display items in their showrooms. These products are meant exclusively for display purposes and should not be used functionally. Each dealer has the opportunity to earn up to a total of \$2,500 in credits. To qualify, display items must be ordered online, paid in full, and images of the showroom installation must be sent to info@hampshirecraft.com for credit processing. It's important to note that drop-shipped items are not eligible for this incentive program.



Fundamental

Q: Are the cabinets made from solid wood?

- For stained finished doors, drawer fronts, and frames, we use 3/4" solid Birch hardwood. The Casselberry Saddle style features a solid birch center panel, while the stained Shaker Cinder utilizes a veneered MDF center panel.
- Our painted styles showcase doors made entirely of HDF, including Shaker White, Shaker Grey, Shaker Dove, Shaker Antique White, Torrance White, and Casselberry Antique White.
- Cabinet Box - Our framed cabinet boxes are crafted from solid Birch hardwoods and furniture-grade plywood. **All materials adhere to TSCA Title VI/CARB P2 compliance, meeting standard US restrictions for formaldehyde emissions.**
- Drawer Box - Our framed cabinetry boasts four-sided drawer boxes made from 5/8" thick solid hardwood, showcasing dovetail joints and a fully enclosed 3/8" thick plywood floor.

Q: About the Dulxeuro Full Access Frameless

Doors & Drawer Fronts -

- Mreno style is crafted with a fully edge-banded, thermofused textured melamine over engineered wood, complemented by a matching back.
- The Palermo style showcases a fully edge-banded, high-gloss PET laminate over engineered wood, featuring a matte melamine back.
- Verona style, we've designed a five-piece HDF-painted door for a distinctive and stylish appearance.
- The frameless cabinet boxes are meticulously crafted using MDF and high-quality furniture-grade plywood. All materials adhere to CARB2 compliance standards, ensuring restricted formaldehyde emissions for a safer and environmentally conscious construction.
- Our frameless cabinetry features a standard drawer box constructed with precision and durability. This four-piece construction box includes robust 1/2" thick metal sides, complemented by a 5/8" thick thermofused melamine engineered wood back and floor for enhanced strength and longevity.

Q: What is the interior finish of the cabinet?

Framed Shake Series

- Our framed cabinetry features UV-coated natural interiors as a standard. Glassdoor "GD" cabinets have interiors painted or stained to perfectly match the exterior.

Dulxeuro Full Access Frameless

- Our Dulxaeuro cabinets showcase a grey linen thermofused melamine both inside and out.

**Q: Are your cabinets strong enough to support a granite countertop?**

Our cabinets are designed with a plywood core construction that provides ample strength to support various countertop materials, including granite and concrete. No additional cabinet reinforcement is needed for proper support.

Q: Do your cabinets include soft-close doors and drawers?

Yes, soft-close doors and drawers are standard on all our current cabinet collections (excluding select discontinued styles).

Q: Is a finished panel necessary for exposed cabinet ends?**Framed Shake Collection**

- No, all our framed cabinets come with finished exteriors.

Dulxeuro Full Access Frameless

- Yes, for the Dulxeuro collection, panels are needed to finish the exposed ends as it features a standard grey linen thermofused melamine exterior.

Q: How much weight can the cabinet drawers hold?**Framed Shake Collection**

- Our framed cabinet drawers have a weight capacity of 70 lbs.

Dulxeuro Full Access Frameless

- Our drawer boxes for Dulxeuro have the following weight capacities:
 - 5" height 88 lbs
 - 6-¾" height 132 lbs.

84

Ordering

Q: What forms of payment do you accept?

We accept all major credit cards (Visa, American Express, MasterCard, and Discover), debit card & PayPal.

Q: How can I check the status of my order?

To track your order's progress, sign in to your account and select 'My Order' from the 'My Account' dropdown menu. If the order has been shipped, the tracking number will be provided along with your order details, allowing you to monitor the package on the carrier's website at your convenience.

Q: Do you provide credit terms?

Currently, we do not offer credit terms to our customers. Full payment is required before processing and shipping any orders.

Q: What is your return policy?

Returns are accepted in specific circumstances. For detailed information, please refer to the 'Return Merchandise Authorizations (RMA)' section in our Terms & Conditions.



Delivery

Q: How is your cabinetry shipped?

The majority of orders are shipped on a pallet through an LTL (Freight) carrier. Smaller items may be shipped via a small parcel carrier.

Q: How soon can I expect to receive my cabinets?

Flatpack Orders

- For Flatpack orders, processing takes up to 3 full business days, based on the selected service during checkout. Transit time to your location varies from 1-6 business days, depending on your location and required delivery services. (Backorders may have different lead times.)

Assembled Orders

- For standard assembled orders, processing and shipping take up to 15 full business days. Transit time to your location varies from 1-6 business days, depending on your location and the services required at delivery. (Backorders and modification orders may have different lead times.)

Q: What should I do if my delivery contains damaged cabinets?

If you receive damaged items, please make a note of the damages on the delivery receipt when accepting the shipment and take photos of the damaged items. It is crucial not to refuse the shipment. Submit a claim online with the photos of the damages or promptly send them to info@hampshirecraft.com. Hampshire Craft Cabinetry will promptly review and replace the damaged pieces.



2-Year Limited Manufacturer Warranty

Hampshire Craft Cabinetry assures the original consumer purchaser that our cabinetry, door hinges, and drawer glides will be free from material and workmanship defects during normal use and service for a 2-year period from the date of purchase (Proof of Purchase required). This warranty is applicable solely to products used for residential purposes and is not transferable. Representatives of Hampshire Craft Cabinetry are not authorized to modify or expand this warranty.

Exclusions to this warranty include normal wear and tear, damage or defects caused by accidents, misuse, abuse, lack of necessary maintenance, alteration, modification, improper installation, improper handling/storage, environmental conditions, and any associated labor expenses.

Hampshire Craft Cabinetry may, at its discretion, choose to repair or replace any product covered by this warranty with a functionally equivalent product. Replacement parts, subject to availability, may differ from the original parts received. The return of the defective product may be required for a replacement to be issued. While repair parts or replacement parts are covered by Hampshire Craft Cabinetry, other expenses, including removal and re-installation costs, labor expenses, etc., are the responsibility of the customer.

86

Variations in color and grain pattern in wood, adding to its natural beauty, are considered normal and not considered imperfections. Environmental factors may cause the natural aging, darkening, or mellowing of a cabinet over time, which is expected and not covered by this warranty.

The warranty does not cover the inherent growth characteristics or variation in wood. Cabinets with glazed finishes may exhibit variations in color and appearance due to the hand-applied glazing process. The nature of wood to expand and contract may result in fractures in painted surfaces at joints, which is normal and not considered a defect.

This warranty is valid only in the United States and is non-transferable. All implied warranties are limited in duration to the shorter of the period provided by law or the period of this warranty. This warranty excludes special, incidental, or consequential damages to the extent permitted by law. Some states may not allow the exclusion or limitation of incidental or consequential damages, so the above limitations or exclusions may not apply. This warranty provides specific legal rights, and additional rights may vary by state. To avail this warranty, please contact the Hampshire Craft Cabinetry supplier from whom you purchased the product. Report any claimed defects in writing to info@hampshirecraft.com, including proof of purchase documentation.



©Hampshire Craft Cabinetry
Manufacturer & Wholesaler